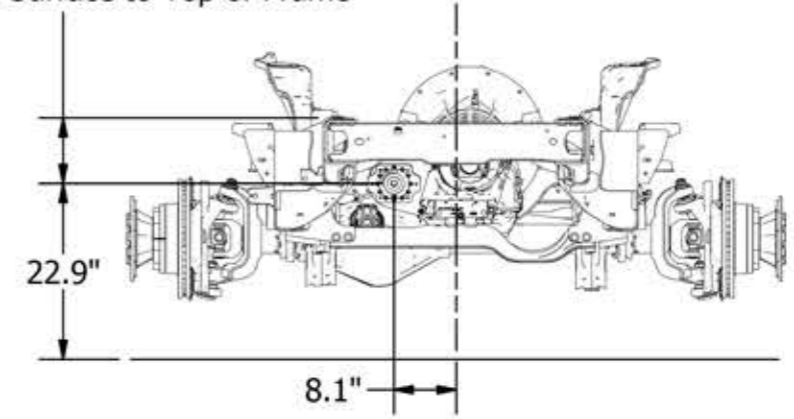
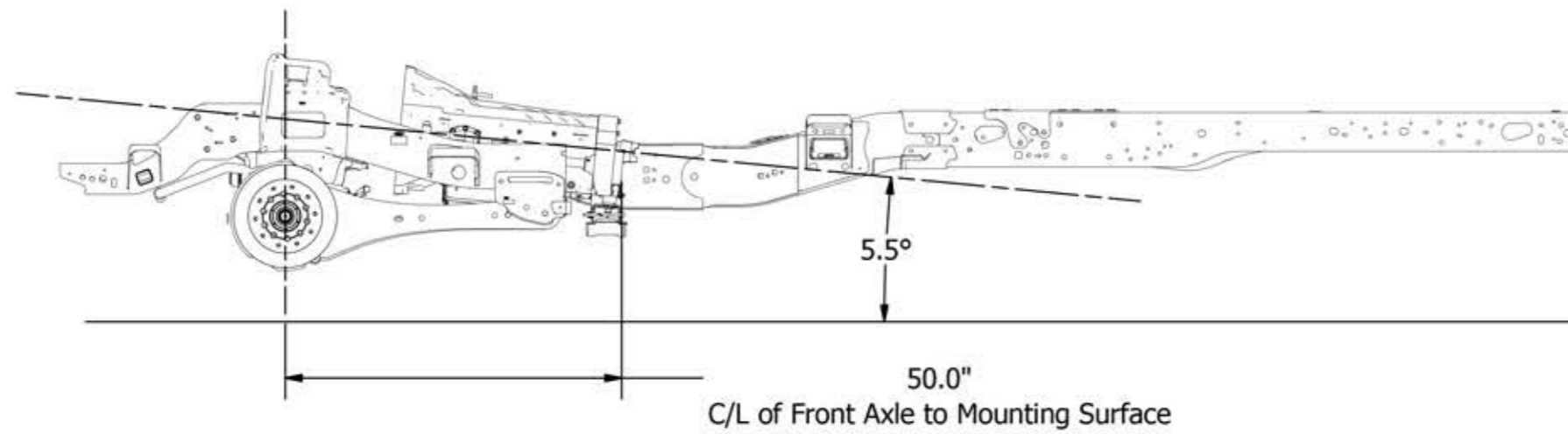


8.5"
C/L of Mounting Surface to Top of Frame



S.A.E. "B" Pump Mount
7/8" - 13 Tooth Spline



5.5°
50.0"
C/L of Front Axle to Mounting Surface

FIRE DEPARTMENT APPROVAL	DATE

REV	DATE	BY	DESCRIPTION

DRAWN	4/13/2021	DIRECTDRIVE PLUS	<small>DirectDrive PLUS LLC 137 West Brook Drive Morrisville, VA, 27554 1810 273-9917 Fax 1810 273-9929</small>
User			
CHASSIS.MFG		FORD 4X2 Shaft Extension SAE Mount	
MODEL		Dimensional Specifications	
APPARATUS		SIZE	DWG NO
WATER	FOAM	B	Ford 4X2 Shaft Extension - Dimensional
PUMP/GPH		SCALE: 1/25	REV
JOB #			