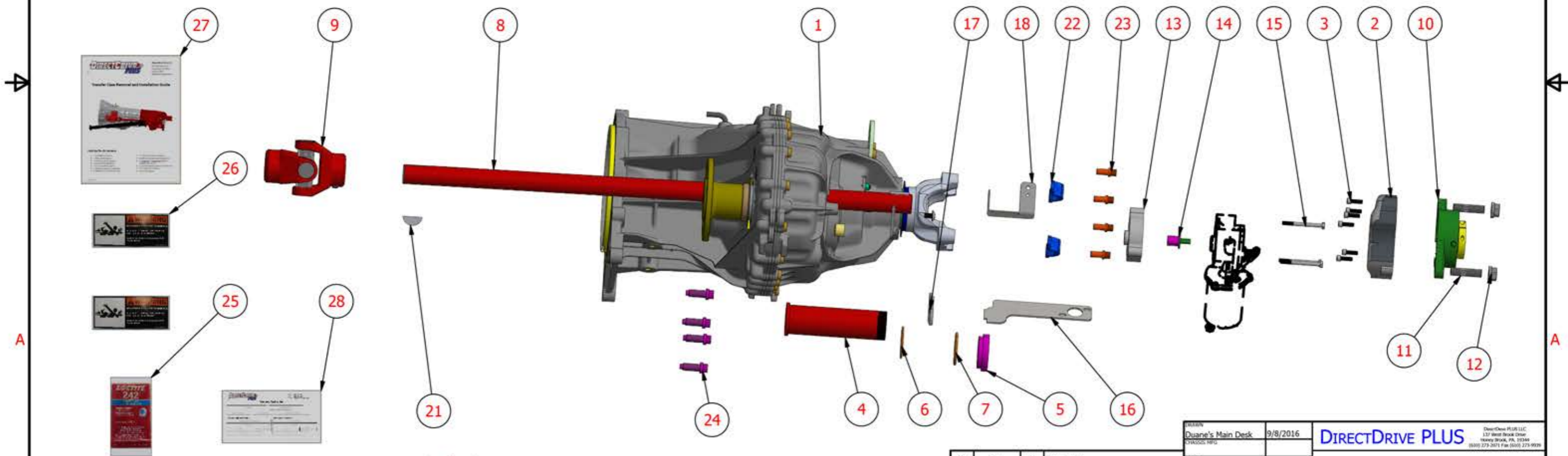


PARTS LIST				PARTS LIST			
ITEM	QTY	PART NUMBER	DESCRIPTION	ITEM	QTY	PART NUMBER	DESCRIPTION
1	1	Rear Cover Electric Shift		15	3	MCM-91280A351	6mm X 1mm X 65mm Long Cap Screw - Class 8.8
2	1	DDP-4007	Filler Block 2017 - 20019 LiveDrive	16	1	DDP-4021	Rear Support Bracket Long
3	6	MCM-91251A540	Bolt Socket Head 1/4 X 3/4	17	1	DDP-4020	Support Motor Accuator Case Side
4	1	DDP-4008	Tube LiveDrive O Ring Groove Threaded 2017 +	18	1	DDP-4022	Mount Accuator Connector
5	1	DDP-4009	Brass Nut Threaded Tube	19	1	MAR-0005	Plate Serial
6	1	MCM-9396K155	O Ring Tube to Case Seal	20	1	MCM-91770A578	Bolt Truss Head Philips 5/16 X 1/2 NC
7	1	MCM-9396K216	O Ring Seals Threaded Shaft Tube to Rear Cover	21	2	SSS-118049	#1010 Carbon Woodruff Key
8	1	DDP-4002	Shaft 32_750 Long	22	2	FOR-E4HT-4A254-A	Retainer U Strap
9	1	SPI-1310-ASSY	1310 U-Joint Assy	23	4	FOR-F1HZ-4N272-A	Bolt U-Joint Strap
10	1	DDP-4006	HS Bearing with Modification 2017 + Ford	24	4	FOR-N811880-S100	Bolt Forward Driveshaft
11	2	MCM-92997A383	Stud Rear Bearing	25	1	LOC-24025	Loctite 242 Treadlocker Blue
12	2	AIM-90WN120	Flange Nut Serrated	26	2	MAR-2200	Rotating Shaft Warning
13	1	DDP-4010	Spacer Accuator	27	1	LDP 2017 +	Installation Manual
14	1	DDP-4011	Spool Accuator Assy	28	1	Form Warranty Registration	Warranty Registration



Application
 2017 - 2019 Ford Super Duty Cab and Chassis
 Shift on the Fly
 Wheelbase 169, 193, 205, 168, 192, 179, and 203

REV	DATE	BY	DESCRIPTION

REV	DATE	BY	DESCRIPTION

DRAWN Duane's Main Desk		9/8/2016		DIRECTDRIVE PLUS		Duane's Main Desk 137 West Brook Drive Haverly, PA, 17344 (610) 272-2021 Fax (610) 272-9939	
MODEL				LDP-17A or 17C			
APPARATUS				SIZE B			
MATER. FORM				DWG NO LDP-17B-1 Parts Break Down Presenta			
PARTS LIST				SCALE: 1/8"			
REV. F				SHEET 1 OF 1			