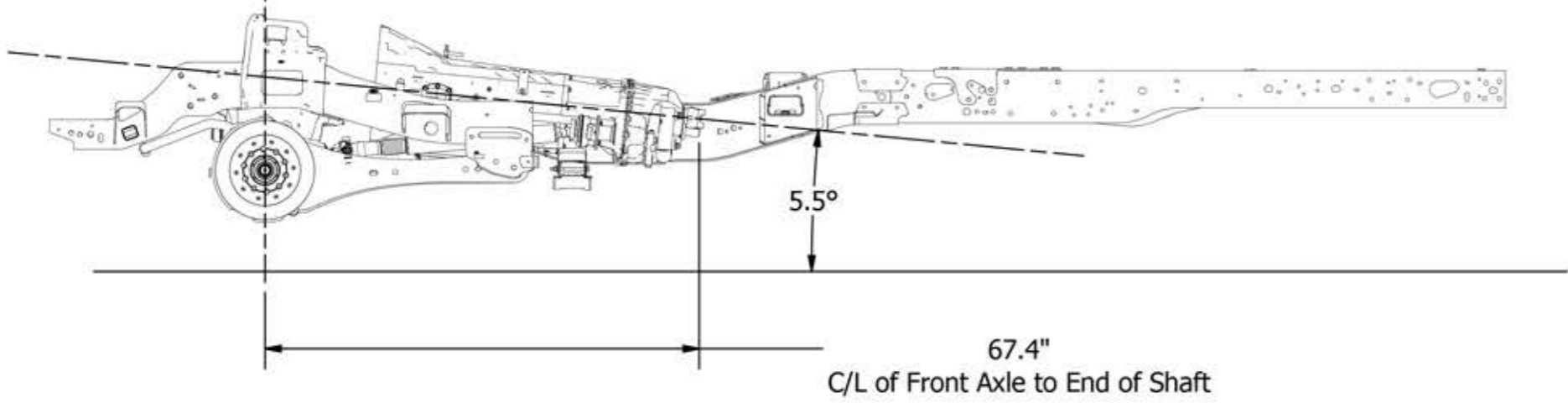
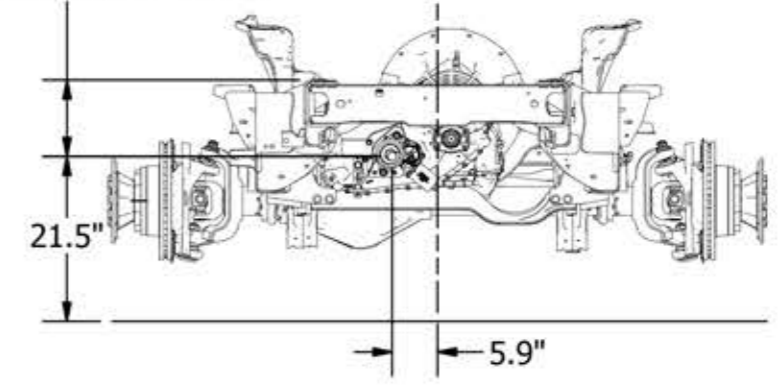


10.0"
C/L of Shaft to top of Frame



FIRE DEPARTMENT APPROVAL _____ DATE _____

REV	DATE	BY	DESCRIPTION

DRAWN	4/13/2021	DIRECTDRIVE PLUS	<small>DirectDrive PLUS LLC 137 West Brook Drive Honey Brook, PA, 19344 610.273.9917 Fax 610.273.9929</small>
User			
CHASSIS MFG		LDP-20X-B	Dimensional Specifications
MODEL			
APPARATUS		SIZE	DWG NO
WATER	FOAM		
PUMP GPM		B	LDP-20A - B - Dimensional
JOB #		SCALE: 1/25	Drawing
<small>Macro Equipment Sales LLC RESERVES THE RIGHT TO MAKE MINOR DIMENSIONAL CHANGES, AND DESIGN AND COMPONENT CHANGES FOR PRODUCT DEVELOPMENT</small>			SHEET 1 OF 1