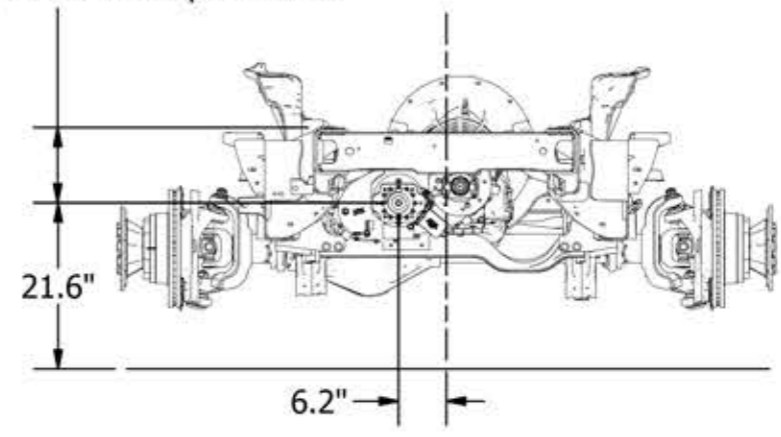
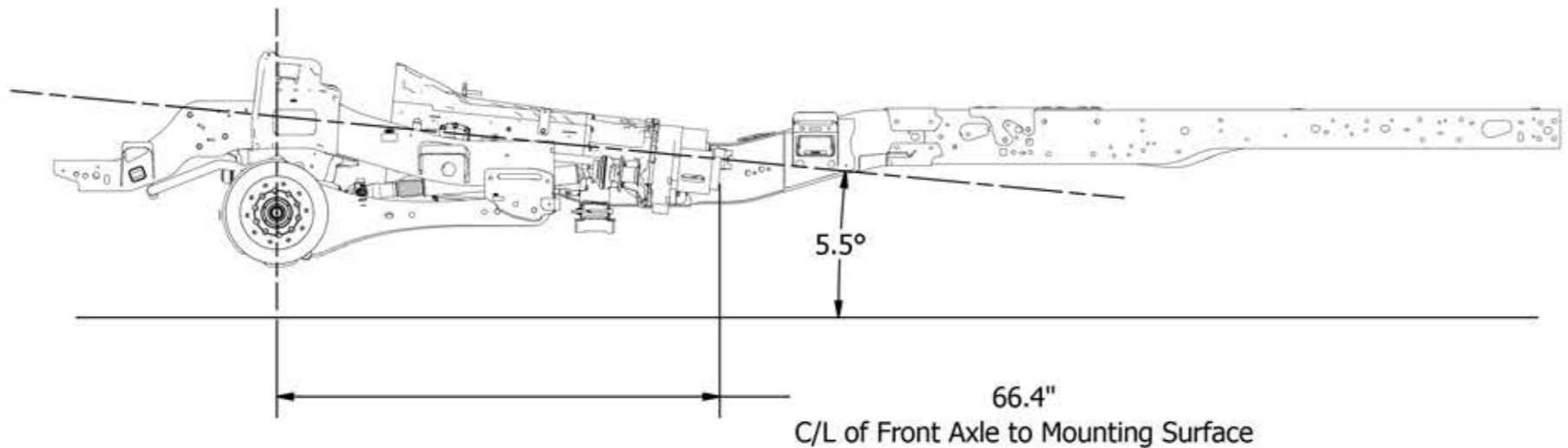


9.8"
C/L of Mounting Surface to top of Frame



SAE "B" Pump Mount
7/8" - 13 Tooth Spline



66.4"
C/L of Front Axle to Mounting Surface

FIRE DEPARTMENT APPROVAL _____ DATE _____

REV	DATE	BY	DESCRIPTION

DRAWN User	4/13/2021	DIRECTDRIVE PLUS 137 West Brook Drive Honey Brook, PA, 19344 610.273.9917 Fax 610.273.9929
CHASSIS MFG		
MODEL		LDP20X-MK Dimensional Specification
APPARATUS		
WATER	FOAM	SIZE B
PUMP GPM		
JOB #		DWG NO LDP-20X - MK - Dimensional Drawing
SCALE: 1/25		REV
		SHEET 1 OF 1

Macro Equipment Sales LLC RESERVES THE RIGHT TO MAKE MINOR DIMENSIONAL CHANGES, AND DESIGN AND COMPONENT CHANGES FOR PRODUCT DEVELOPMENT