

4

3

2

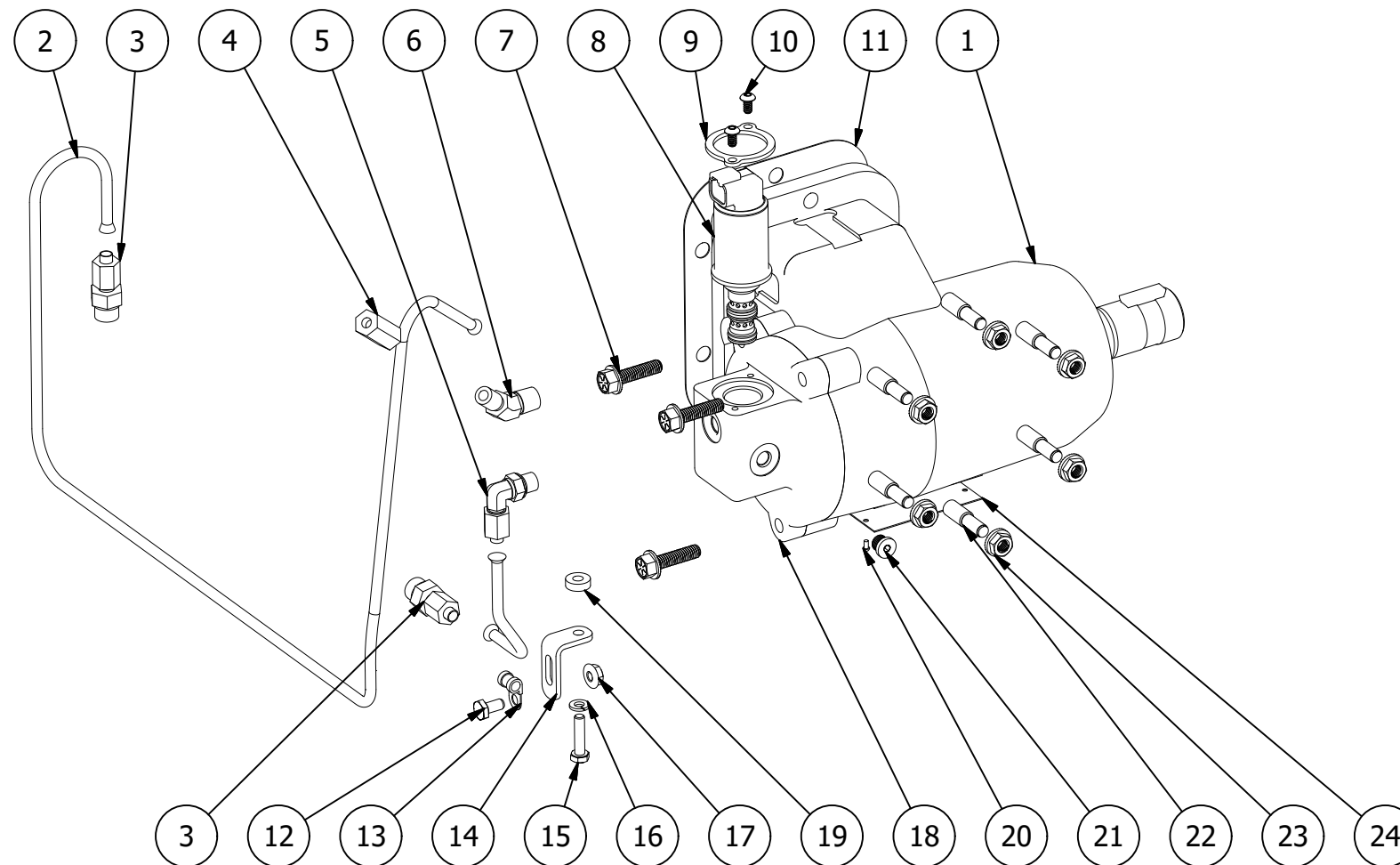
1

PARTS LIST

PARTS LIST

ITEM	QTY	PART NUMBER	DESCRIPTION
1	1	MAR-2001	Main Housing
2	1	MAR-2011	Line Lubricating Cluster Gear
3	2	MAR-2037	Fitting Straight 1/4 Tube X 9/16-18 UNF
4	1	MAR-2062	Tubing Nut, Extended, Oil Tube
5	1	MAR-2040	Ele 90* 1/4 X 7/16-20 UNF
6	1	MAR-2039	Elbow 45* 1/8 NPT X 1/4 Tube
7	3	MAR-2027	Bolt Rear Cover
8	1	sv90-g39_ER	
9	1	HydraForce Clamp	
10	2	10-24 - .375 Button Head	STEP AP203
11	1	MAR-2043	Gasket Mounting
12	1	MAR-2052	Clamp Bolt (Lube Line Bracket)

ITEM	QTY	PART NUMBER	DESCRIPTION
13	1	MAR-2054	Clamp Loom #4
14	1	MAR-2049	Bracket Lube Line
15	1	MAR-2050	Transmission Pan Bolt (Lube Line Bracket)
16	1	MAR-2051	Transmission Pan Lock Washer (Lube Line Bracket)
17	1	MAR-2053	Hex Flange Nut
18	1	MAR - 2002	Rear Cover
19	1	MAR-2057	Washer Braket Lube Line RAMDrive
20	2	MAR-2044	Rivet Ser# Name Plate
21	1	MAR-2069	3/8-24 - O-Ring Boos Plug
22	6	MAR-2041	Stud Mounting
23	6	MAR-2042	Nut Flange 5/16 NF
24	1	MAR-2010	Ser# Name Plate



FIRE DEPARTMENT APPROVAL	DATE

REV	DATE	BY	DESCRIPTION

DRAWN User	4/15/2021	<b>DIRECTDRIVE PLUS</b> DirectDrive PLUS LLC 137 West Brook Drive Honey Brook, Pa. 19344 (610) 273-9937 Fax (610) 273-9939
CHASSIS MFG		
MODEL		<b>Main Housing and Components Hydra Force Parts List</b>
APPARATUS		
WATER	FOAM	
PUMP GPM		SIZE B
JOB #		DWG NO RD200-X Main Housing and Component
		SCALE 1/4
		SHEET 1 OF 1

4

3

2

1

4

3

2

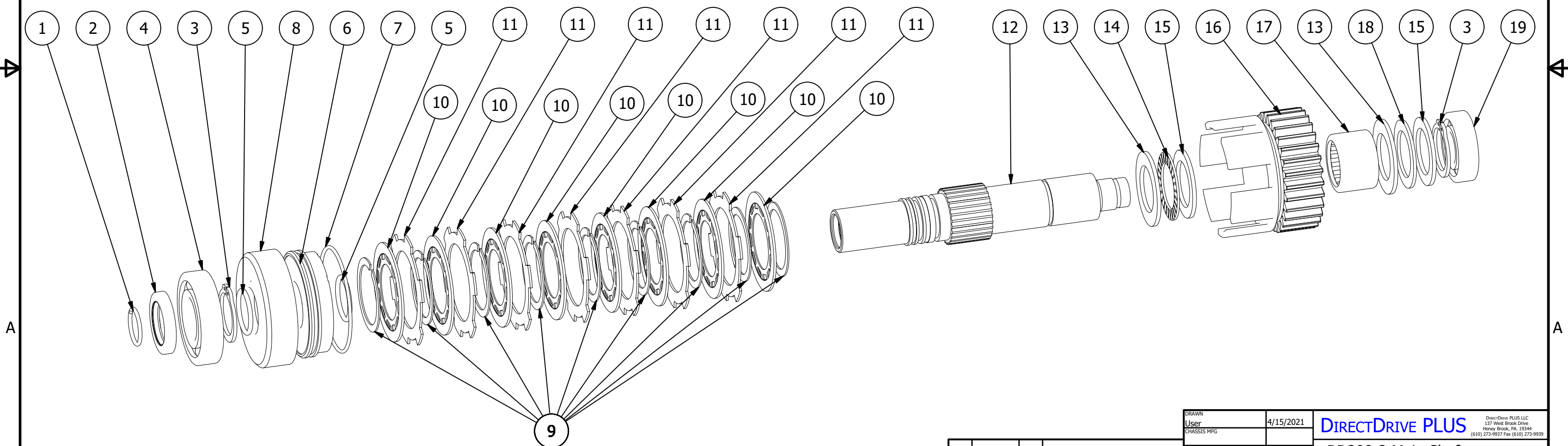
1

PARTS LIST

PARTS LIST

ITEM	QTY	PART NUMBER	DESCRIPTION
1	1	MAR-2059	3mm X 26mm X 32mm O Ring Modified
2	1	MAR-2025	Seal Main Shaft
3	2	MAR-2034	Snap Ring
4	1	MAR-2023	Nose Main Shaft Bearing
5	2	MAR-2031	O-Ring Piston / Cup Internal
6	1	MAR-2007	Clutch Piston
7	1	MAR-2029	O-Ring Piston External
8	1	MAR-2008	Piston Cup
9	9	MAR-2015	Spring Washer Clutch Disc
10	8	MAR-2013	Clutch Friction Disk

ITEM	QTY	PART NUMBER	DESCRIPTION
11	7	MAR-2014	Clutch Disk Stator
12	3	MAR-2046	Main Shaft 4X4
13	2	MAR-2058	Thrust Bearing Clutch Disc Spring
14	1	MAR-2021	Needle Thrust Bearing
15	2	MAR-2019	Thrust Bearing .130"
16	1	MAR-2005	Clutch Pack Gear
17	1	MAR-2022	Needle Roller Bearing Clutch Gear
18	1	MAR-2020	Thrust Bearing .100"
19	1	MAR-2024	Rear Cover Main Shaft Bearing



# 4X4 Main Shaft

FIRE DEPARTMENT APPROVAL	DATE

REV	DATE	BY	DESCRIPTION

DRAWN User CHASSIS MFG	4/15/2021	<b>DIRECTDRIVE PLUS</b> RD200-2 Main Shaft Parts List	<small>DirectDrive PLUS LLC          137 West Brook Drive          Honey Brook, Pa. 19344          (610) 273-9937 Fax (610) 273-9939</small>
MODEL APPARATUS WATER PUMP GPM JOB #	SIZE B		DWG NO RD200-2 RamDrive Exploded Presentat
Marco Equipment Sales LLC RESEVES THE RIGHT TO MAKE MINOR DIMENSIONAL CHANGES, AND DESIGN AND COMPONENT CHANGES FOR PRODUCT DEVELOPMENT		SCALE 1/3	SHEET 1 OF 1

4

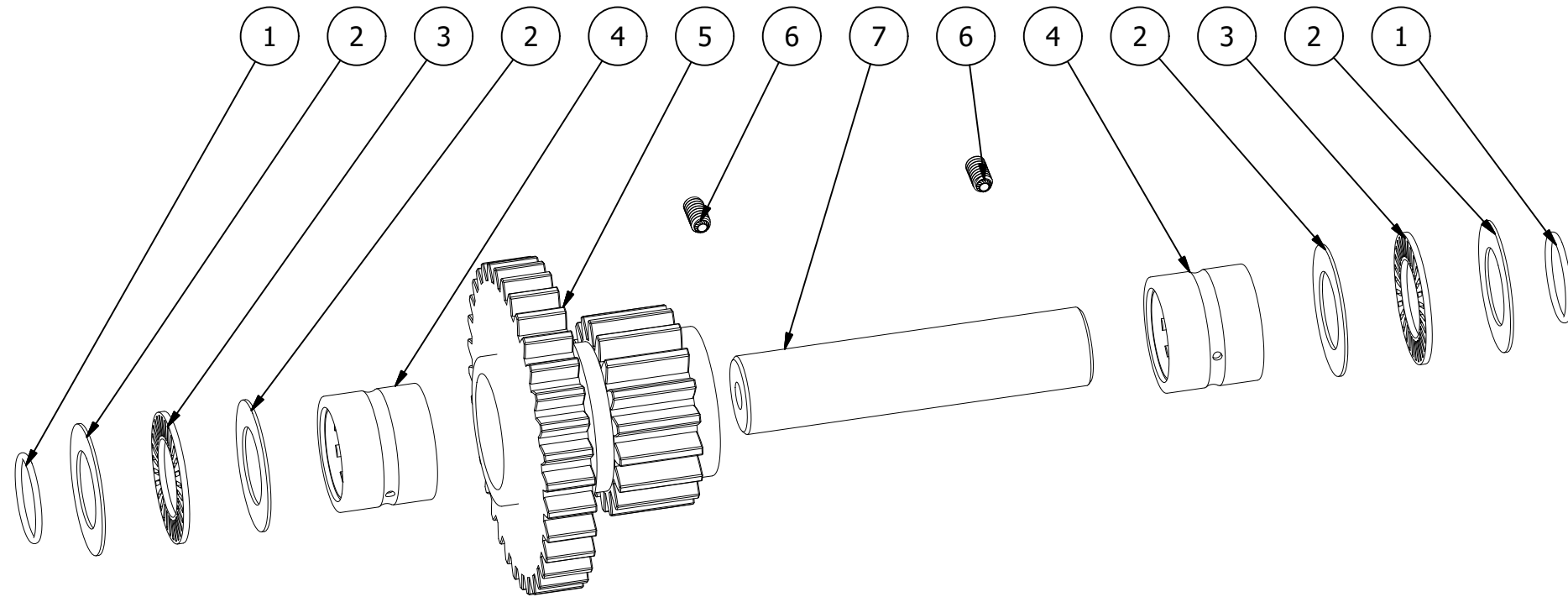
3

2

1

PARTS LIST			
ITEM	QTY	PART NUMBER	DESCRIPTION
1	2	MAR-2045	O Ring Idler Shaft
2	4	MAR-2017	Thrust Washer 1 mm
3	2	MAR-2016	Needle Thrust Bearing
4	2	MAR-2018	Bearing Cluster Gear

PARTS LIST			
ITEM	QTY	PART NUMBER	DESCRIPTION
5	1	MAR-2004	Idler Gear Cluster
6	3	MAR-2046	Set Screw 10-24 Knurled
7	1	MAR-2006	Shaft Cluster Gear



FIRE DEPARTMENT APPROVAL	DATE

REV	DATE	BY	DESCRIPTION

DRAWN <b>User</b> CHASSIS MFG	4/15/2021	<b>DIRECTDRIVE PLUS</b> <small>DirectDrive PLUS LLC          137 West Brook Drive          Honey Brook, Pa. 19344          (610) 273-9937 Fax (610) 273-9939</small>
MODEL APPARATUS WATER    FOAM PUMP GPM JOB #	Cluster Gear and Shaft Parts List	
SIZE <b>B</b>	DWG NO <b>RD200-X Cluster Gear - Parts List</b>	REV SHEET 1 OF 1

Marco Equipment Sales LLC RESEVES THE RIGHT TO MAKE MINOR DIMENSIONAL CHANGES, AND DESIGN AND COMPONENT CHANGES FOR PRODUCT DEVELOPEMENT

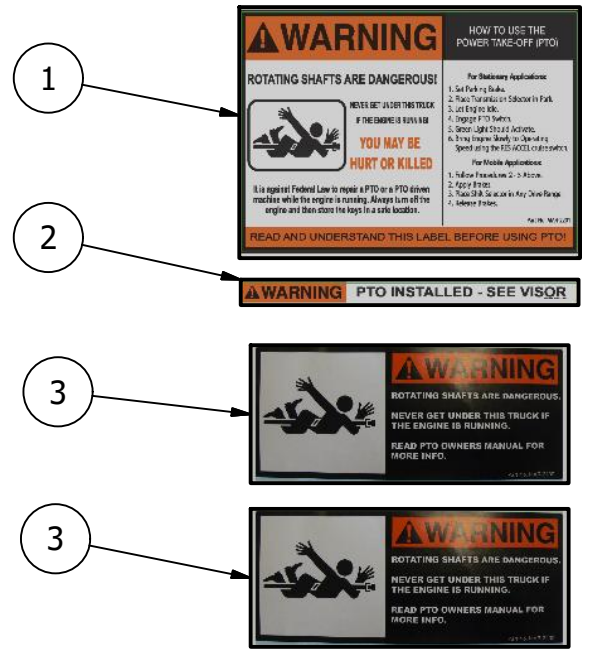
4

3

2

1

PARTS LIST			
ITEM	QTY	PART NUMBER	DESCRIPTION
1	1	MAR-2201	Operation Label Sunvisor
2	1	MAR-2203	PTO Installed Label Interior
3	2	MAR-2200	Rotating Shaft Warning
4	1	MAR-2115	Harness RAM Firewall to PTO
5	1	MAR-2202	Installation Manual RamDrive



FIRE DEPARTMENT APPROVAL \_\_\_\_\_ DATE \_\_\_\_\_

REV	DATE	BY	DESCRIPTION

DRAWN User	4/15/2021	<b>DIRECTDRIVE PLUS</b>	
CHASSIS MFG		RD200-X Labels and Wire Harness Parts List	
MODEL		SIZE B	DWG NO RD200-X Labels and Harness - Parts Li
APPARATUS		SCALE 1 / 4	REV
WATER	FOAM		
PUMP GPM			
JOB #			

4

3

2

1