

4

3

2

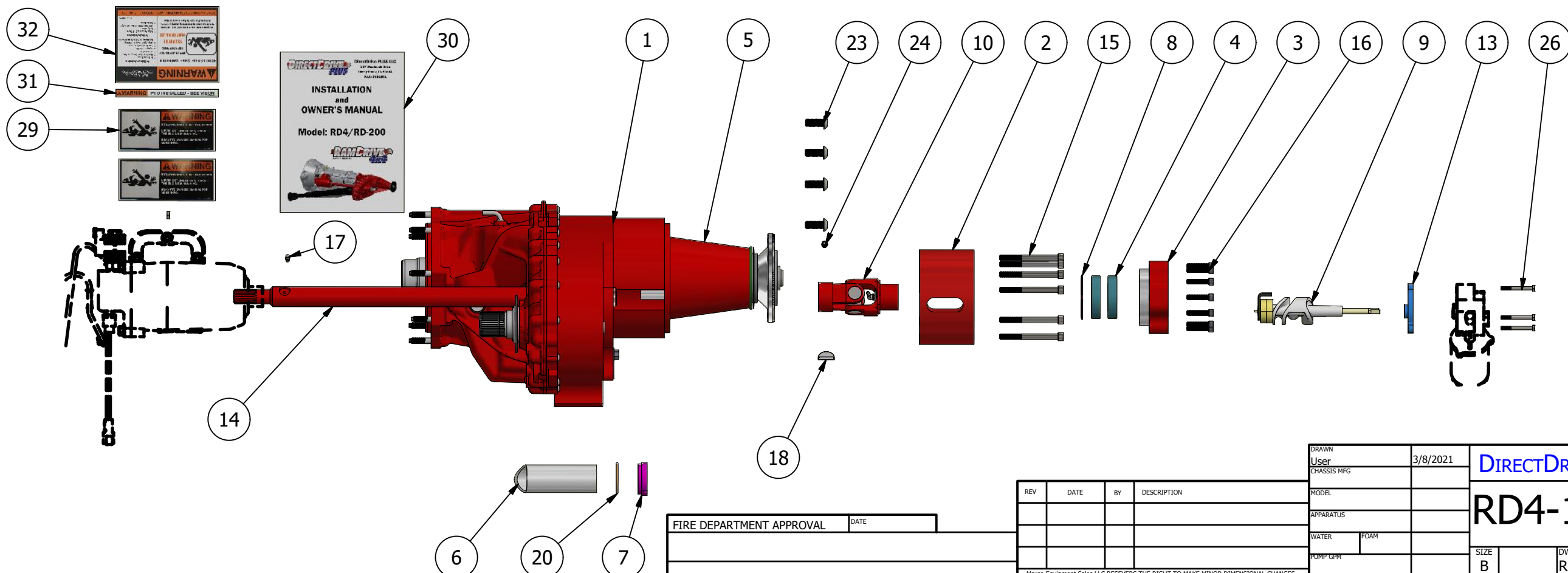
1

PARTS LIST

PARTS LIST

ITEM	QTY	PART NUMBER	DESCRIPTION
1	1	DDP-7037	RD4-19T-E-F-MK Rear Cover
2	1	DDP-7057	Mounting Block, RamDrive 19T-E SAE
3	1	DDP-7047	Flange RamDrive SAE B 2-4 Bolt
4	2	DDP-6009-2NSE9	Bearing Sealed 75mm X 45mm X 16mm
5	1	DDP-7041	Extension RamDrive 19T Tail Shaft Housing
6	1	DDP-3020	Machined Aluminum Tube, RamDrive 19T 4X4, SAE
7	1	DDP-4009	Machined Brass Nut for DDP-4008 (2017+ Ford)
8	1	MBC-VHO-300ST	VHO-300ST - Snap Ring Bearing Retainer SAE B Flange
9	1	DDP-7050	Modified Shift Sector RamDrive 19T-E SAE
10	1	SPI-10-4-641	1000 Series 13 Spline Yoke
11	1	SPI-5-170X	5-170X U Joint 1000 Series
12	1	SPI-10-4-183	SPI-10-4-183 10-4-183 1000 Sieries Yoke 1.250" Bore
13	1	DDP-7051	Motor Spacer, RamDrive 19T-E SAE
14	1	DDP-3018	Shaft, RamDrive 19T-E SAE, 1/4" Key, 26-1/4"
15	6	AIM-9040384	Stainless Socket Head Bolt 3/8-18 X 4
16	12	AIM-9040516112	Stainless Socket Head Bolt 5/16-18 X 1-1/2"
17	1	MCM-1105K71	Grease Zert - M6 Coned Short

ITEM	QTY	PART NUMBER	DESCRIPTION
18	1	SSS-118049	#1010 Carbon Woodruff Key, 1.25" Shaft
19	2	1/2" NPT Plug	Drain and Fill Plug
20	1	MCM-9396K216	O Ring Seals Threaded Shaft Tube to Rear Cover Dash # 225
21	1	MAR-0005	Plate Serial
22	1	AIM-90WN120	18-8 1/2-13 Serrated Flange Nut (Serial Plate)
23	4	MCM-92949A714	McMaster 92949A714 SS Button 1/2 x 1-1/4", (RAM SAE Cone)
24	1	MCM-93445A613	18-8 Stainless Steel Knurl-Grip Cup Point 3/8"-16 Thred X 1/2"
25	20	ASM-0000-182718	8mm X 40mm Button Head 12 Point Drive
26	3	MCM-91280A348	6mm X 50mm Hex Head Bolt Acuator 19T Electric
27	1	MCM-9563K154	Welch Plug with Center hole for Grease Zert
28	1	MCM-1102K440	65 Degree ZINC-PLATED STEEL DRIVE-IN GREASE FITTING
29	2	MAR-2200	Rotating Shaft Warning
30	1	MAR-2202	Installation Manual RamDrive
31	1	MAR-2203	PTO Installed Label Interior
32	1	MAR-2201	Operation Label Sunvisor



FIRE DEPARTMENT APPROVAL _____ DATE _____

REV	DATE	BY	DESCRIPTION

DRAWN User	3/8/2021	DIRECTDRIVE PLUS DIRECTDRIVE PLUS LLC 137 West Brook Drive Honey Brook, PA, 19344 (610) 273-9937 Fax (610) 273-9939
CHASSIS MFG		
MODEL		RD4-19T-E-X-MK
APPARATUS		
WATER	FOAM	SIZE B
PUMP GPM		DWG NO RD4-19T-E-F-MK Assy - Parts
JOB #		REV
	SCALE 1/8	SHEET 1 OF 1

4

3

2

1