

4

3

2

1

PARTS LIST

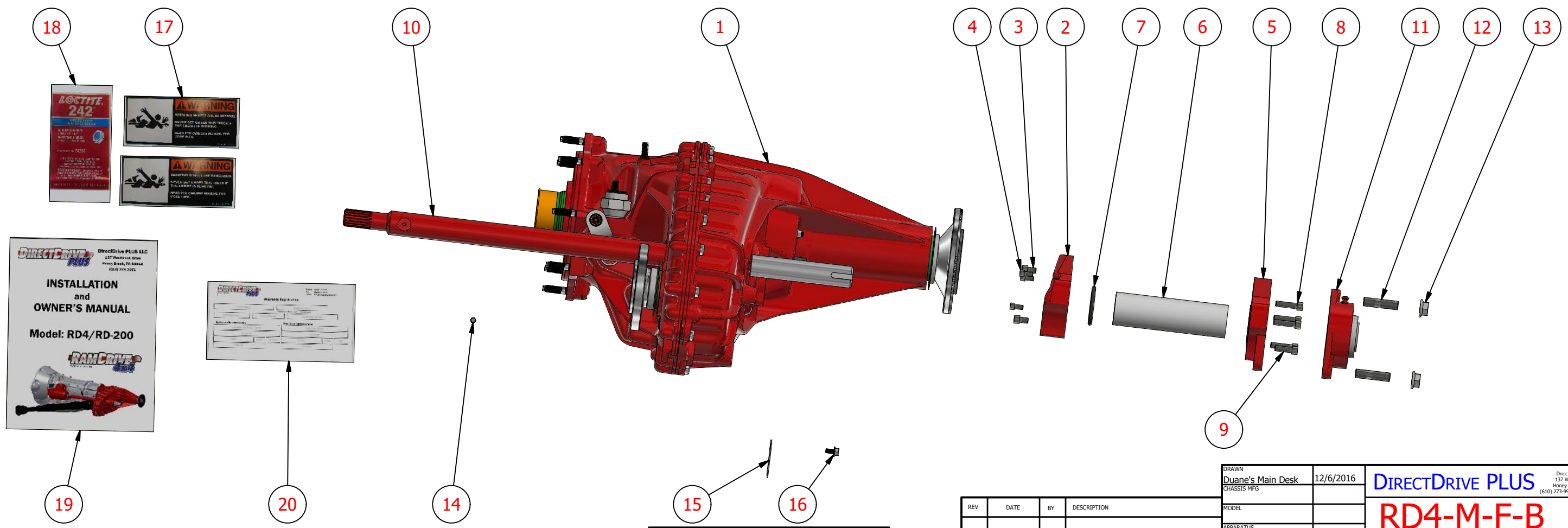
PARTS LIST

ITEM	QTY	PART NUMBER	DESCRIPTION
1	1	DDP-3001	Rear Cover Profiled
2	1	DDP-3002	RamDrive Rear Cover Filler Block
3	2	MCM-91251A578	5/16 X 1/2 NC Socket Head Bolt
4	3	MCM-91251A537	1/4 X 1/2 Socket Head Bolt
5	1	DDP-3003	Adapter Bearing Mount
6	1	MAR-2060	Tube Transfer Case Shaft RamDrive
7	1	MCM-9452K470	O-RING OIL-RESISTANT BUNA-N #328
8	4	MCM-92196A585	5/16 X 1 1/4 NC Socket Head Bolt
9	1	MCM-92196A583	5/16 X 1 NC Socket Head Bolt
10	1	MAR-2401	Shaft Harden 29 1/2" Long

ITEM	QTY	PART NUMBER	DESCRIPTION
11	1	DDP-4006	Mounted Bearing Modified
12	2	MCM-92997A383	Mounted Bearing Stud 1/2 X 2
13	2	AIM-90WN120	18-8 1/2-13 Serated Flange Nut
14	1	MCM-1105K71	Grease Zert - M6 Coned Short
15	1	MAR-0005	Plate Serial
16	1	MCM-90386A100	M6 X 1 X 12 SERRATED FLANGE HEAD
17	2	MAR-2200	Rotating Shaft Warning
18	1	LOC-24025	Loctite 242 Treadlocker Blue
19	1		Installation Manual RamDrive
20	1		Form Warranty Registration

B

B



A

A



FIRE DEPARTMENT APPROVAL	DATE

REV	DATE	BY	DESCRIPTION

DRAWN Duane's Main Desk	12/6/2016	<b>DIRECTDRIVE PLUS</b> <b>RD4-M-F-B</b>	DirectDrive PLUS LLC 137 West Brook Drive Honey Brook, PA, 19344 (610) 273-9937 Fax (610) 273-9939
CHASSIS MFG			
MODEL		SIZE B	DWG NO TRANS. CASE 4X4 Exploded View
APPARATUS		SCALE 1/6	REV
WATER	FOAM	SHEET 1 OF 1	
PUMP GPM			
JOB #			

4

3

2

1

