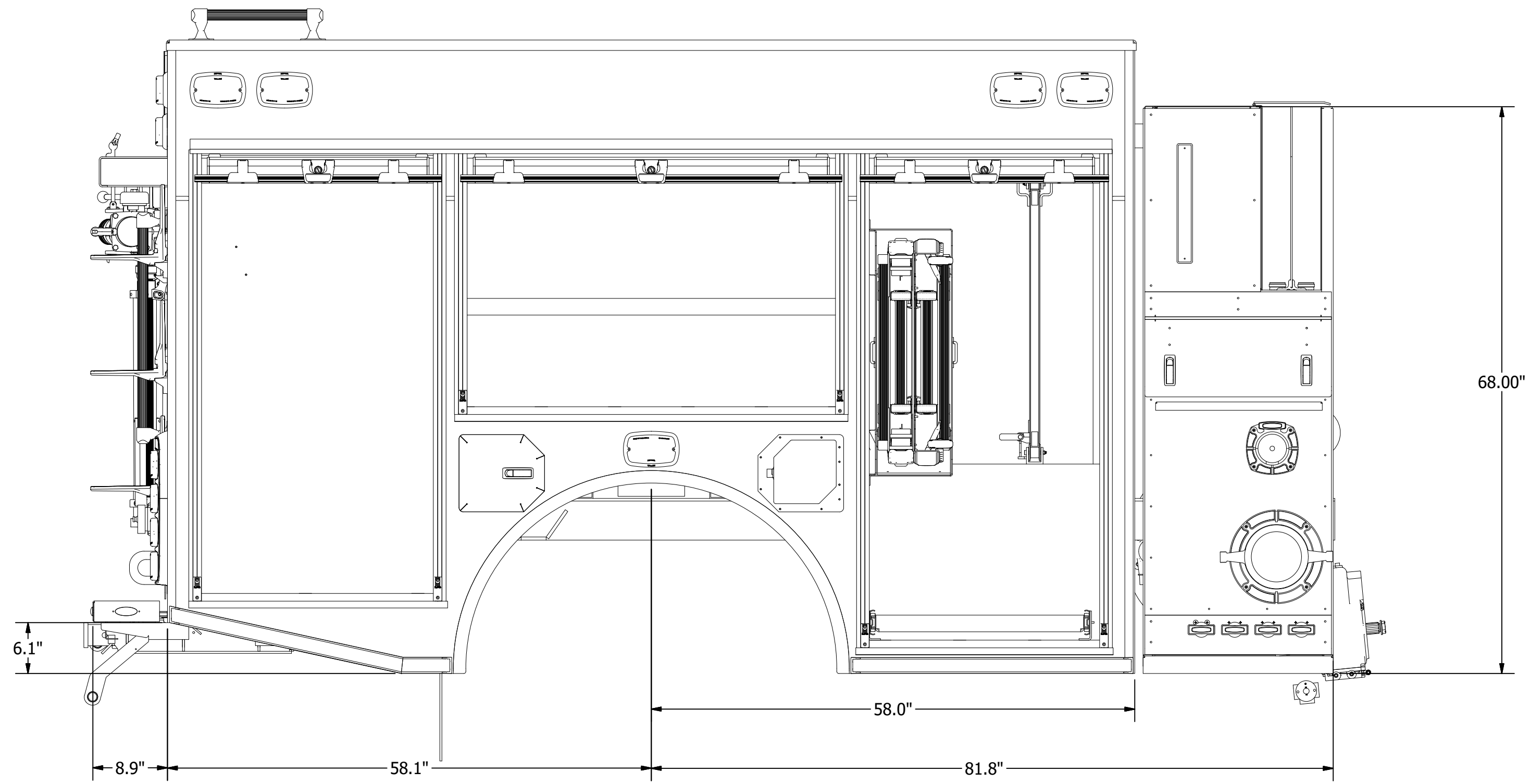
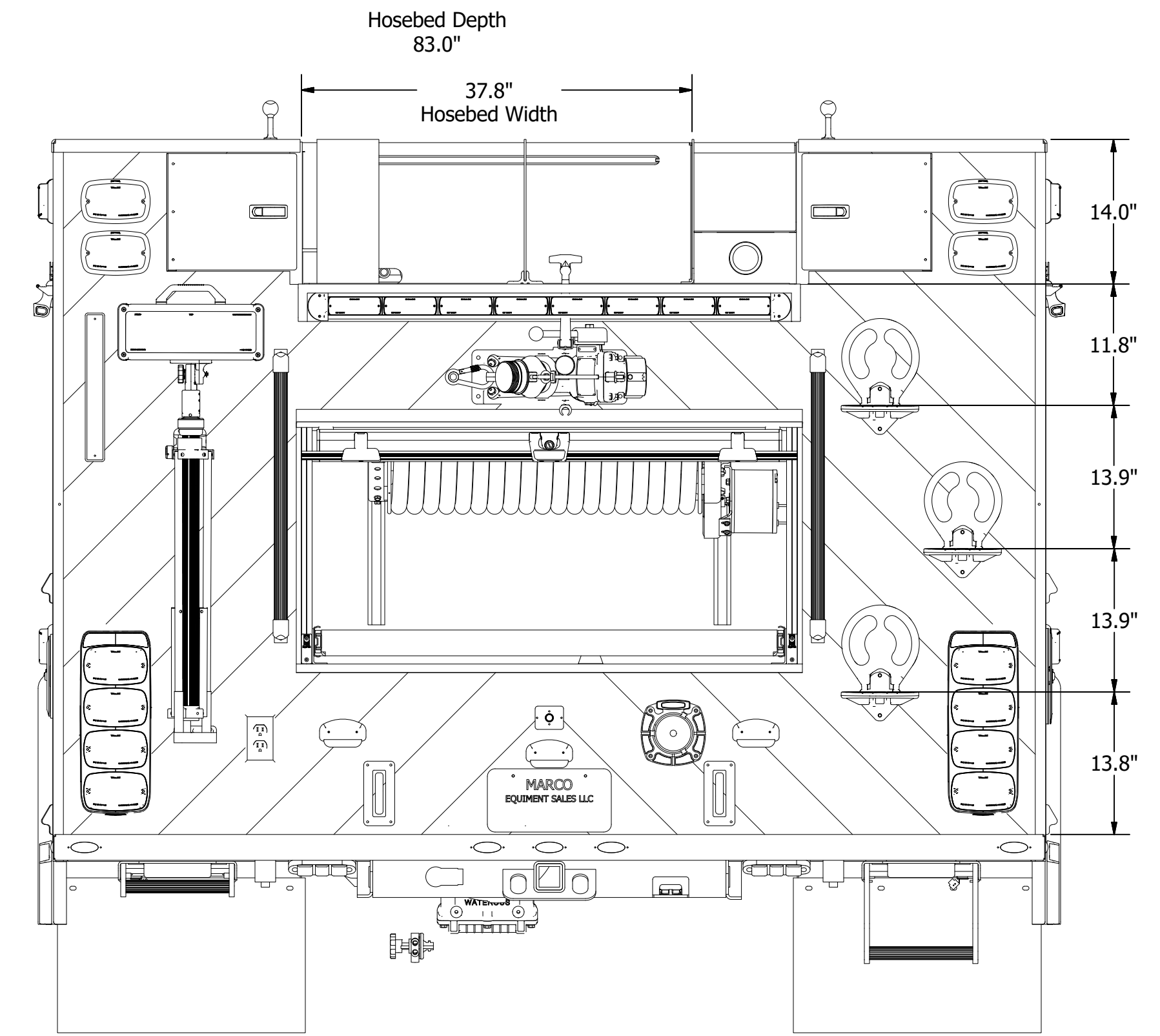
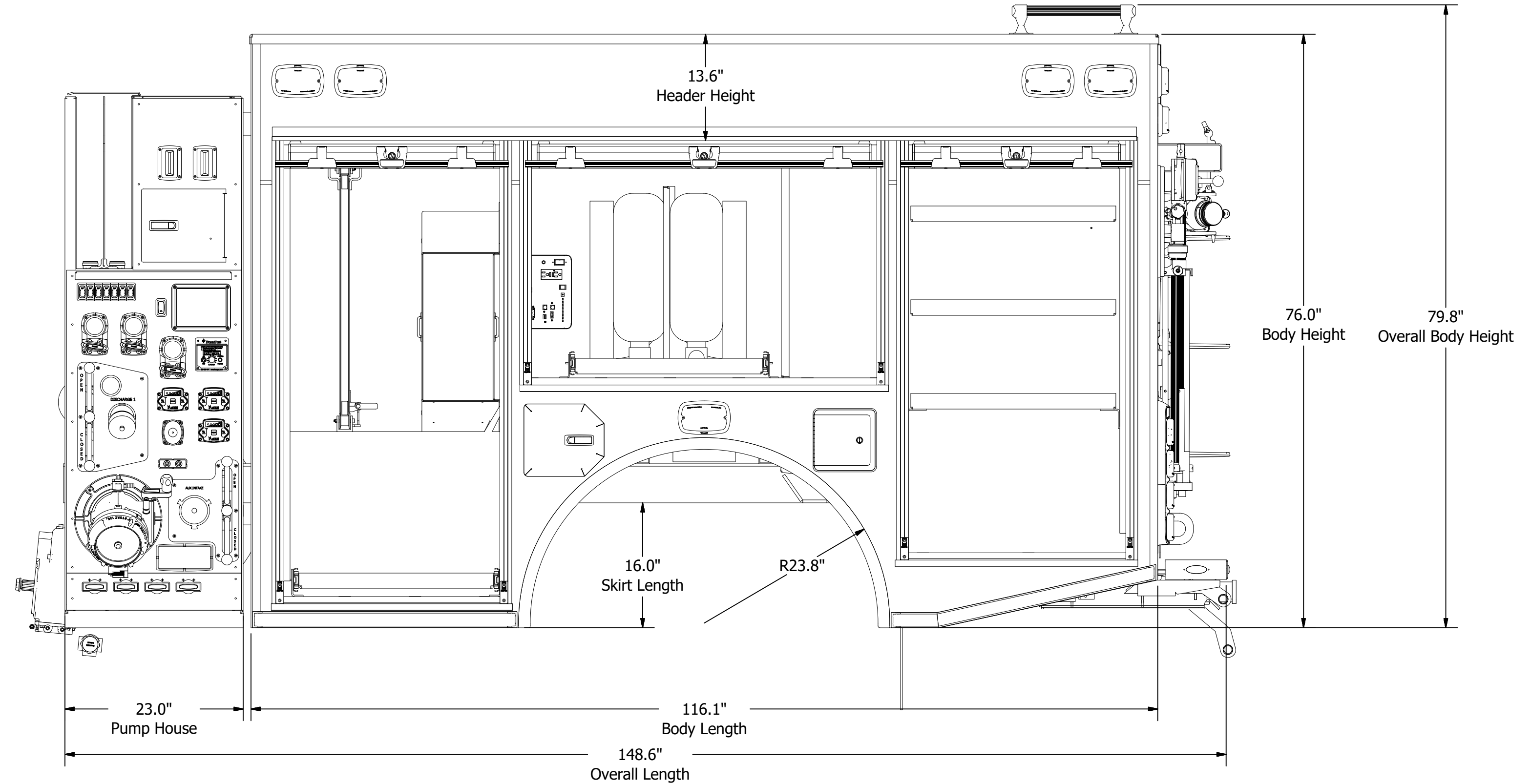
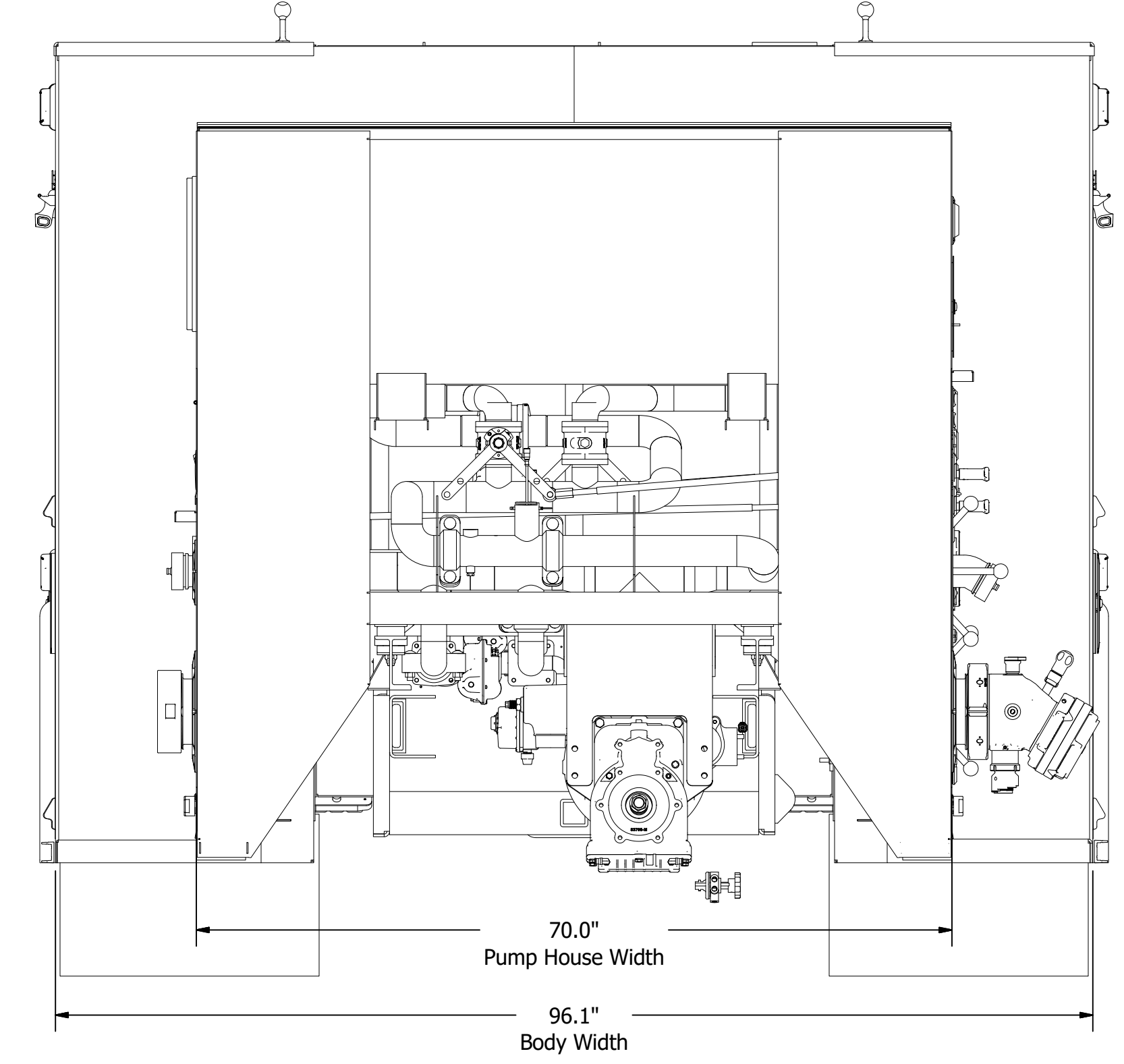


FIRE DEPARTMENT APPROVAL		DATE	BY	DESCRIPTION	REV	DATE	BY	DESCRIPTION	REV	DATE	BY	DESCRIPTION	REV
		07-26-22			B								

FORD F550 Attack 3501 50 750	MARCO Lower Milford Fire Comp. Attack East Fishkill Renderings
--	---



Body Dimensions



FIRE DEPARTMENT APPROVAL		DATE	BY	DESCRIPTION	REV	DATE	BY	DESCRIPTION	REV	DATE	BY	DESCRIPTION	REV
		A	03-22-22										
		B	06-28-22										
		D											

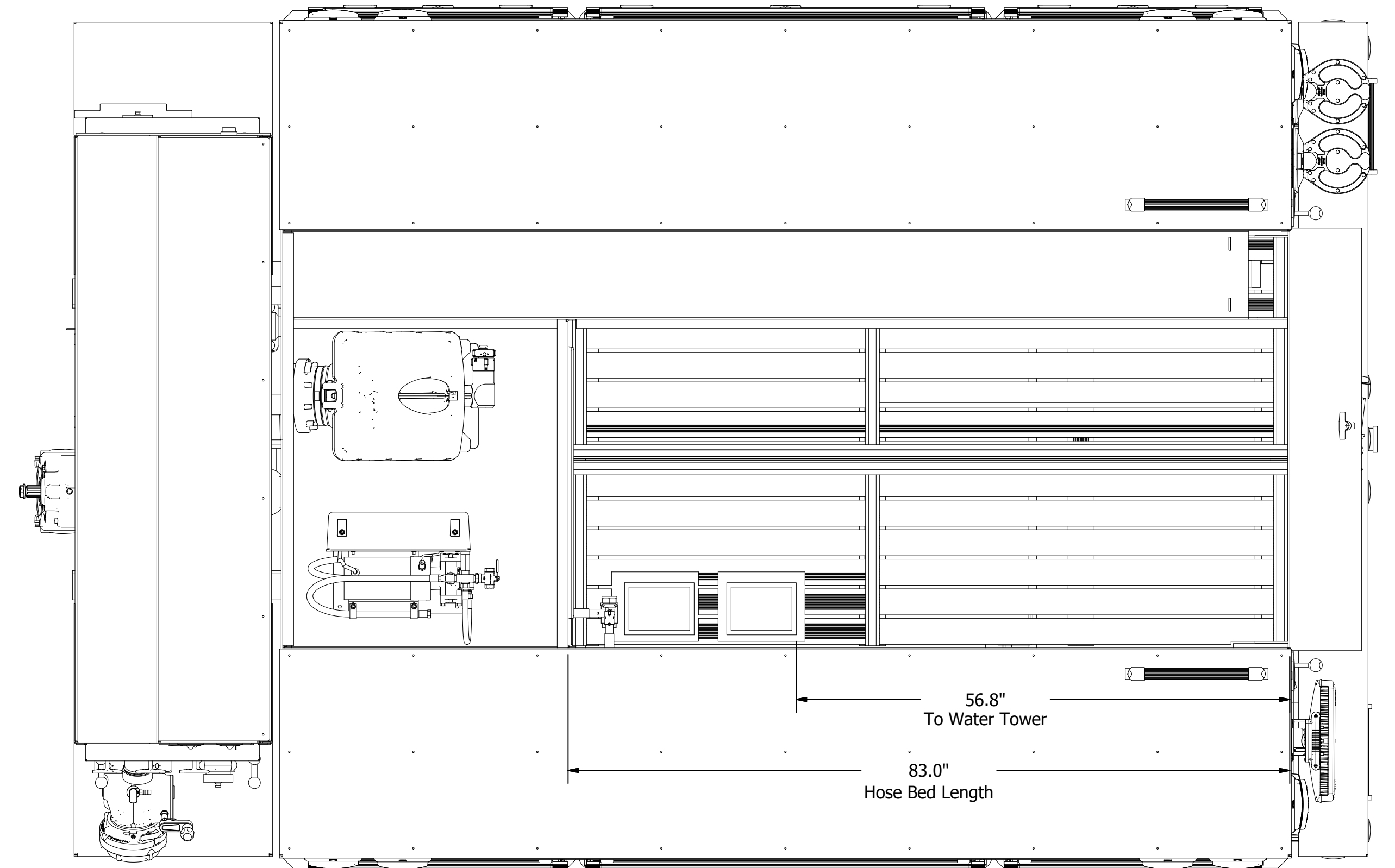
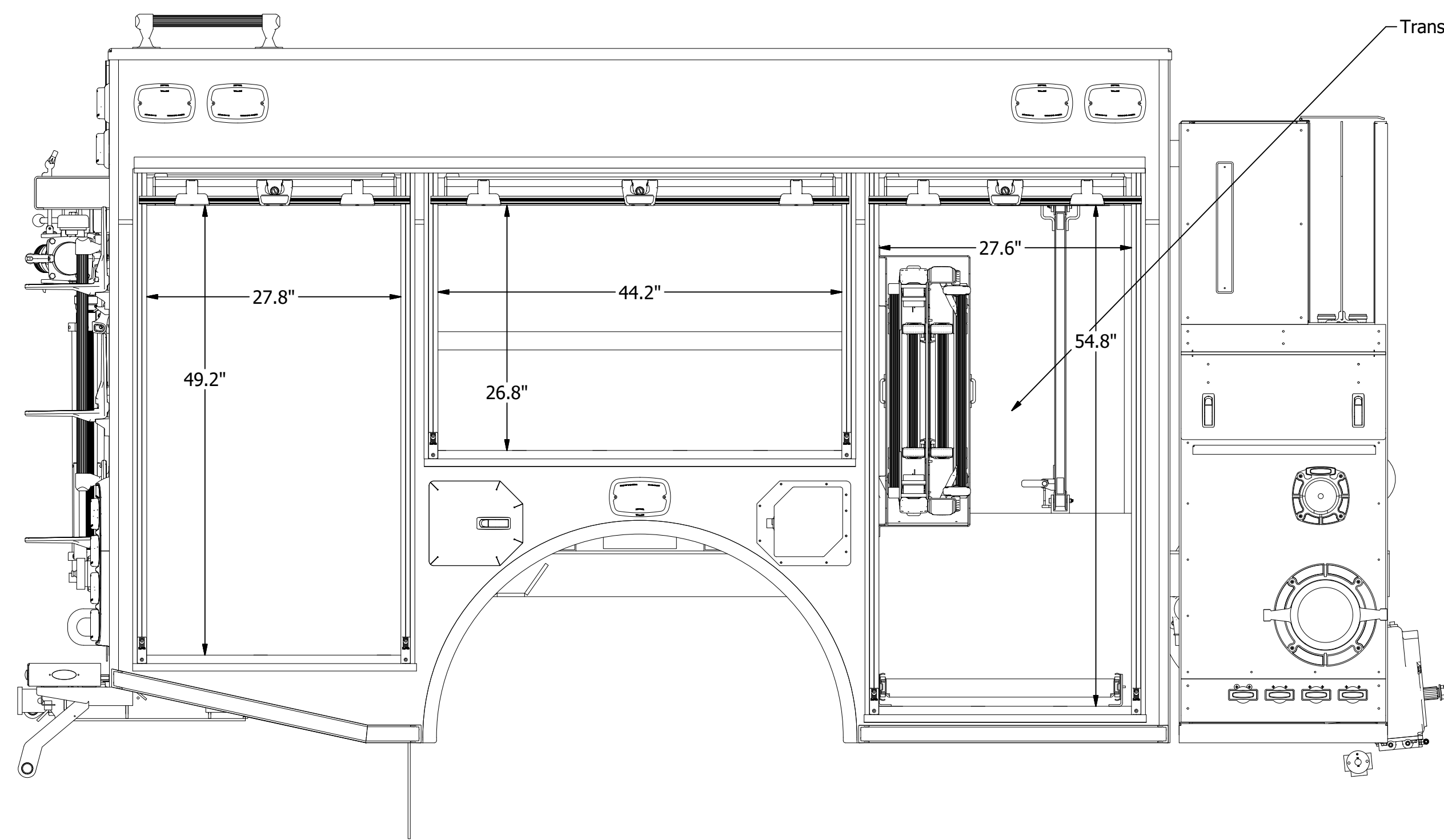
REVISED BY	REVISED DATE	DESCRIPTION

REVISED BY	REVISED DATE	DESCRIPTION

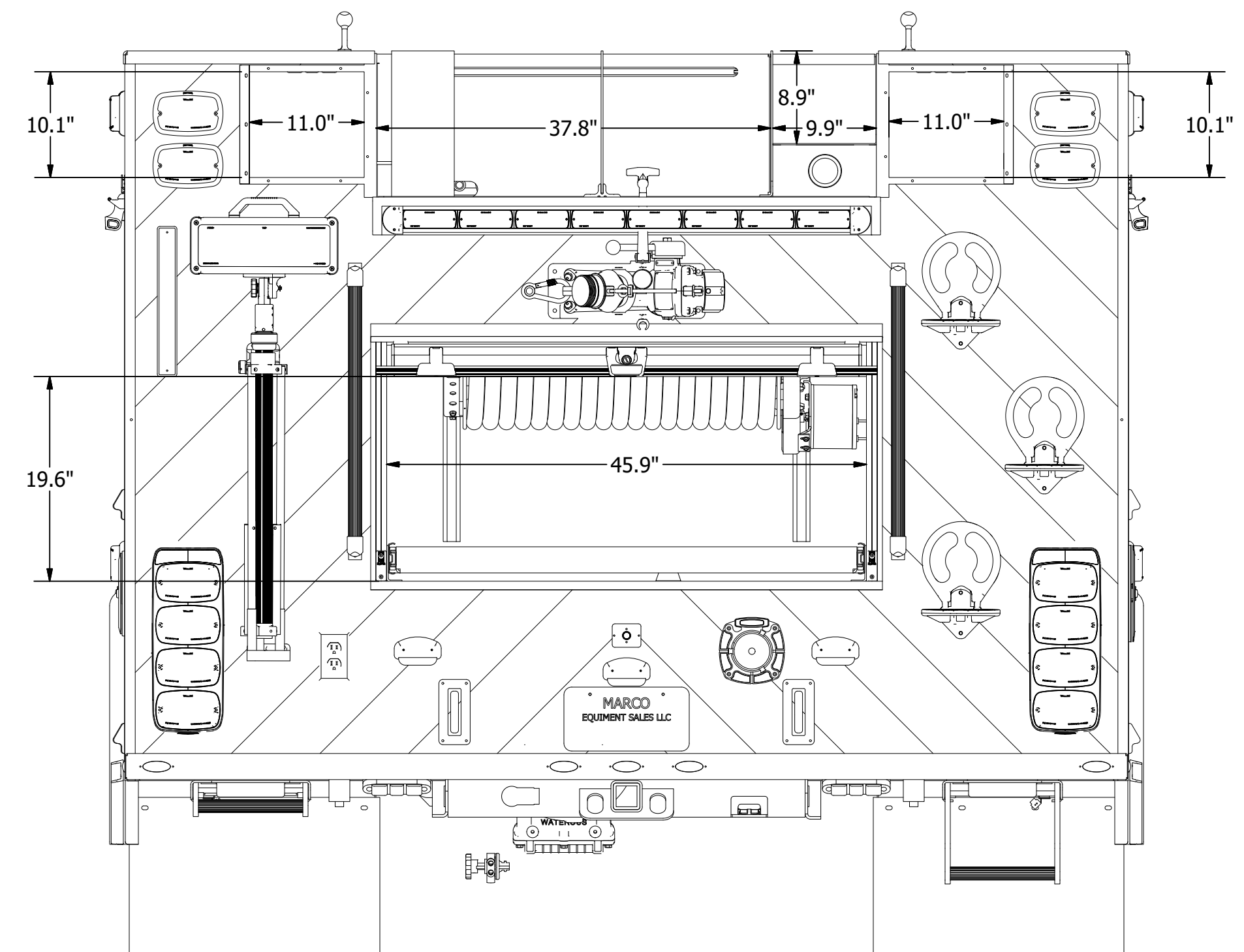
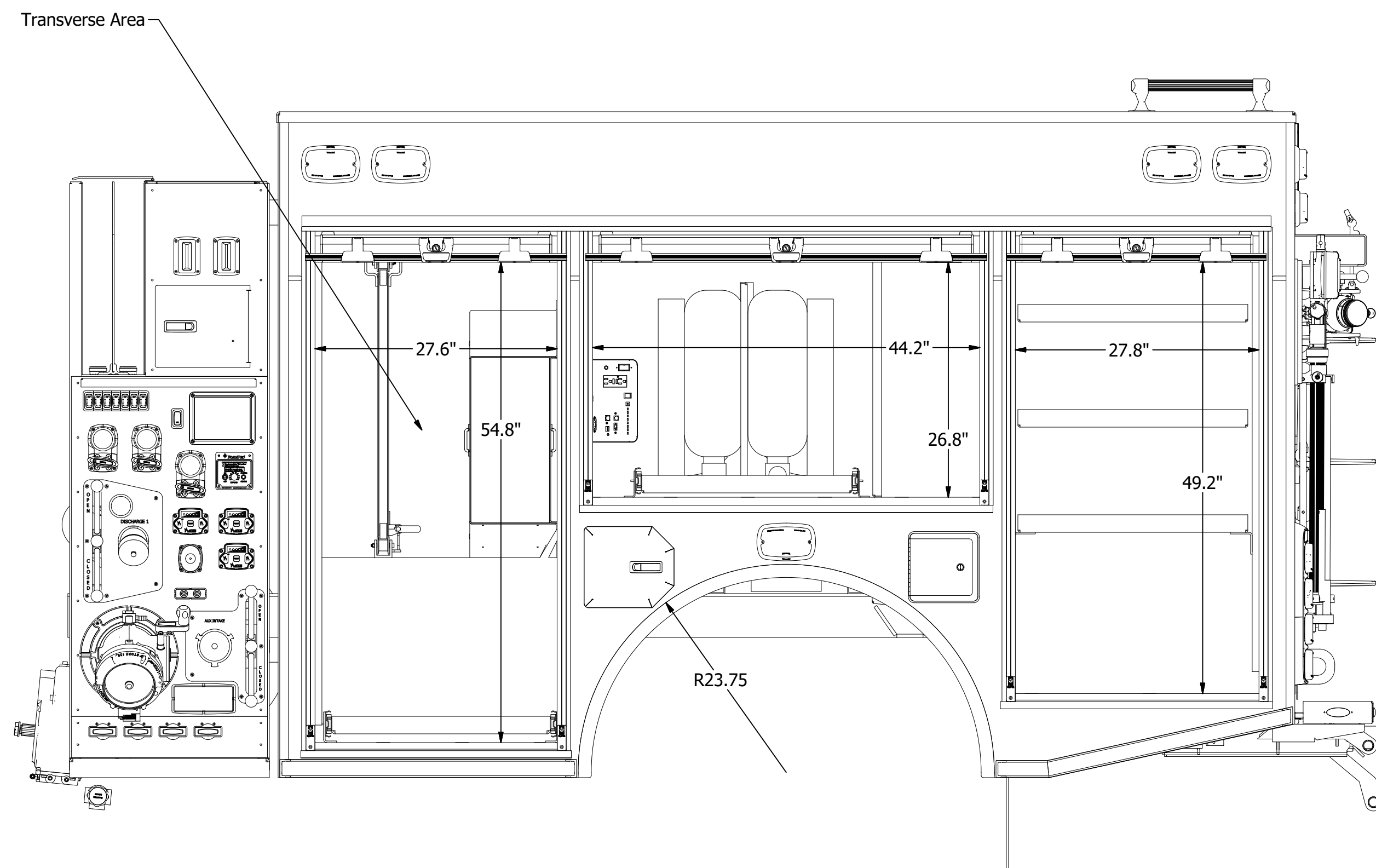
REVISED BY	REVISED DATE	DESCRIPTION

REVISED BY	REVISED DATE	DESCRIPTION

10/30/2020
MARCO
 FORD
 F550
 Attack
 350
 10
 750
 Lower Milford Fire Comp.
 Attack
 East Fishkill Body
 SHEET 1 OF 1



Door Opening Dimensions



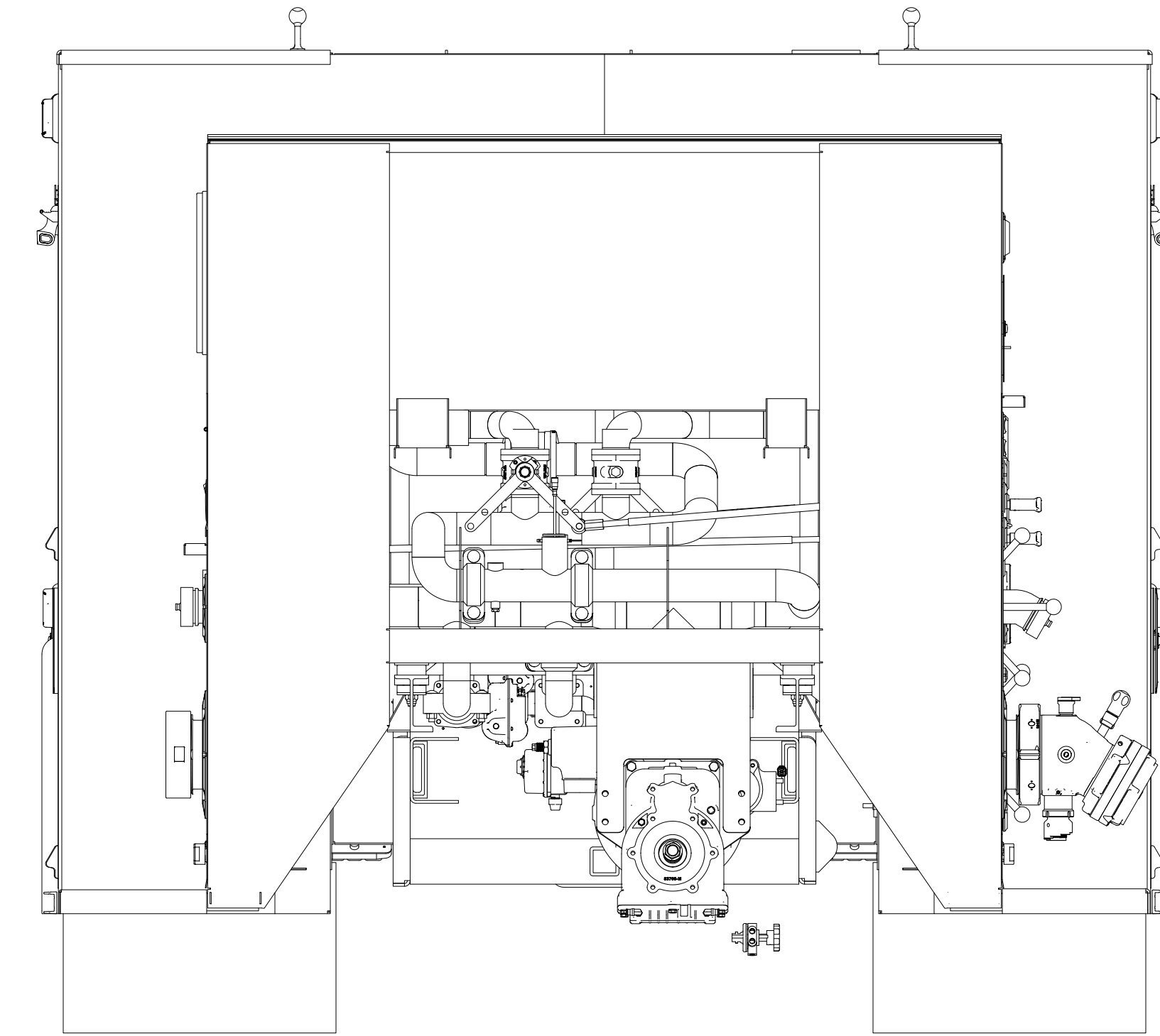
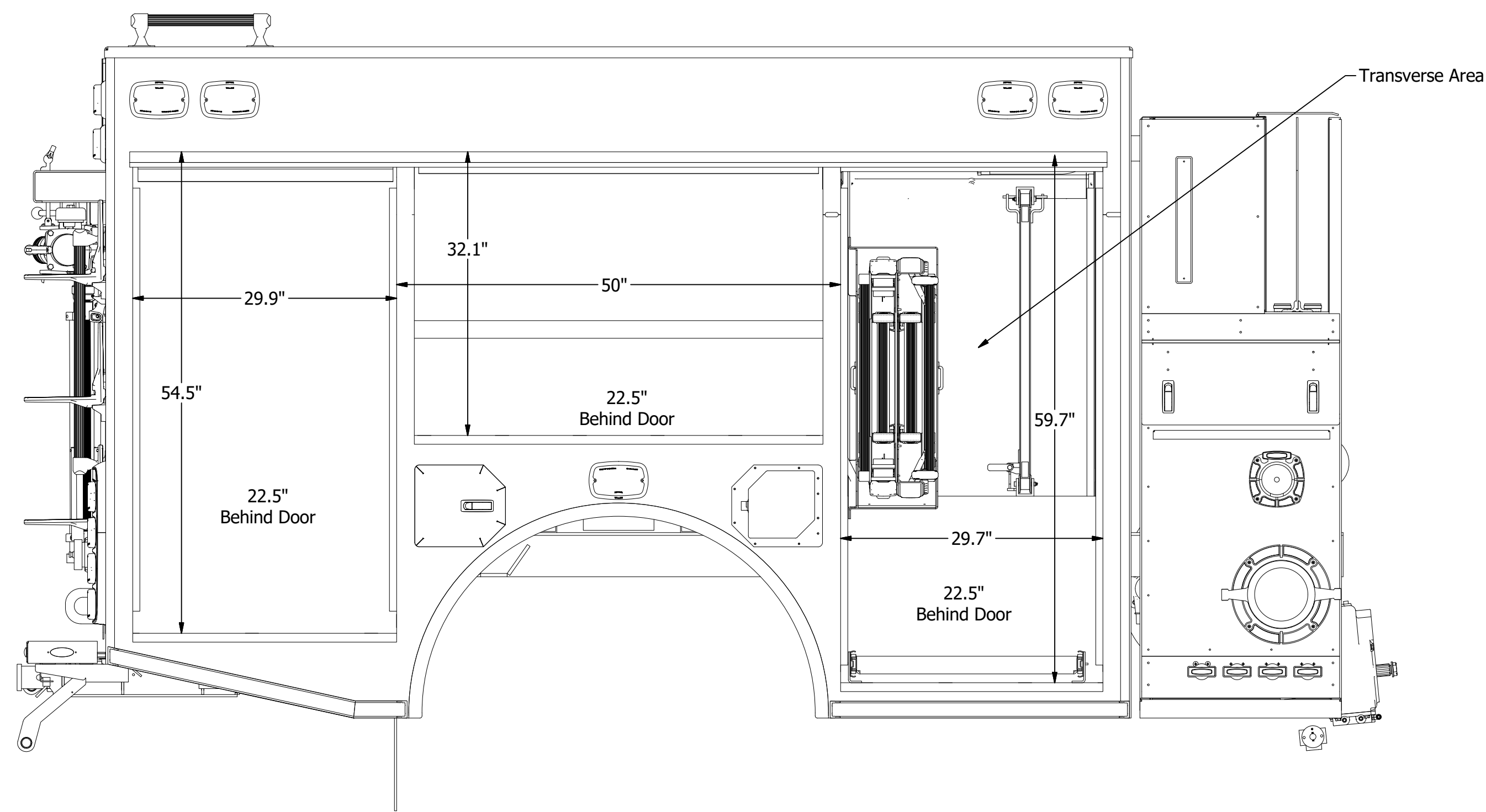
FIRE DEPARTMENT APPROVAL _____ DATE _____

REV	DATE	BY	DESCRIPTION
A	03-22-22		
B	06-28-22		

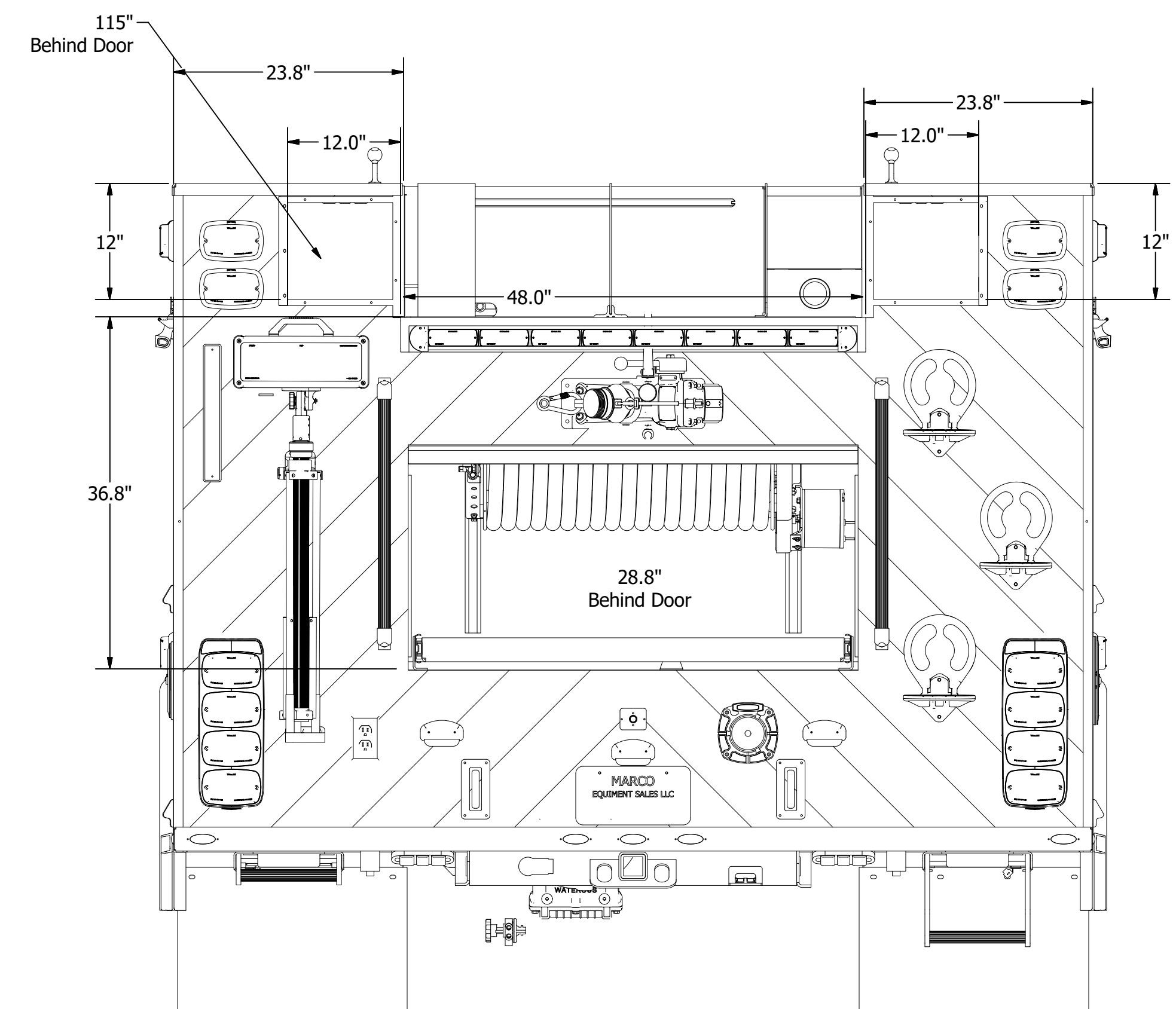
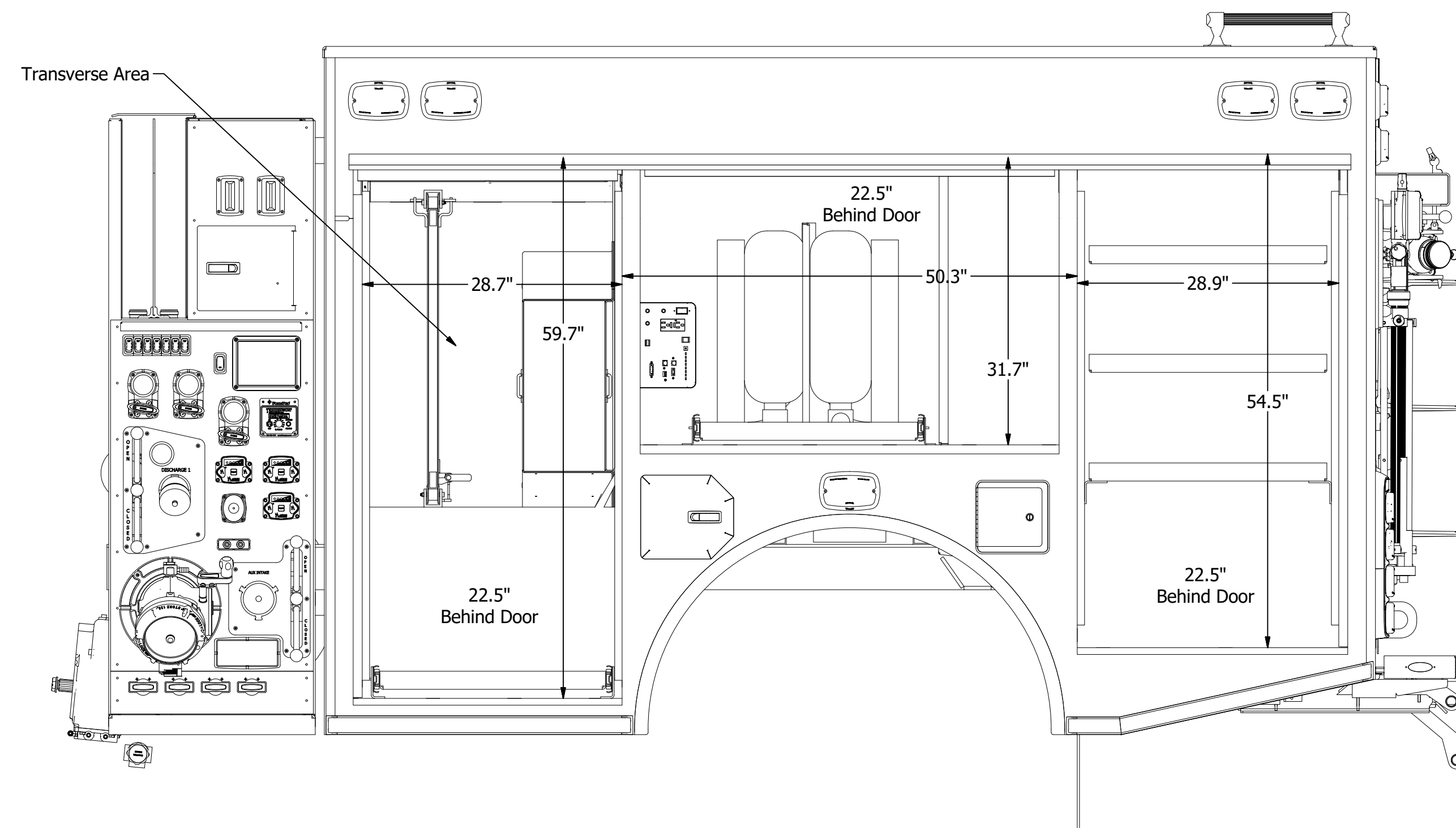
Customer's Name/Date	FORD 10/30/2020
Manufacturer	MARCO
Model	F550
Options	Attack
Part No.	35010
Part Name	750
Scale	1:1
Sheet No.	1 of 1

Lower Milford Fire Comp. Attack
Lower Milford Door Opening Dimensions

SHEET 1 OF 1



Compartment Dimensions Wall to Wall



FIRE DEPARTMENT APPROVAL _____ DATE _____

REV	DATE	BY	DESCRIPTION
A	03-22-22		
B	06-28-22		

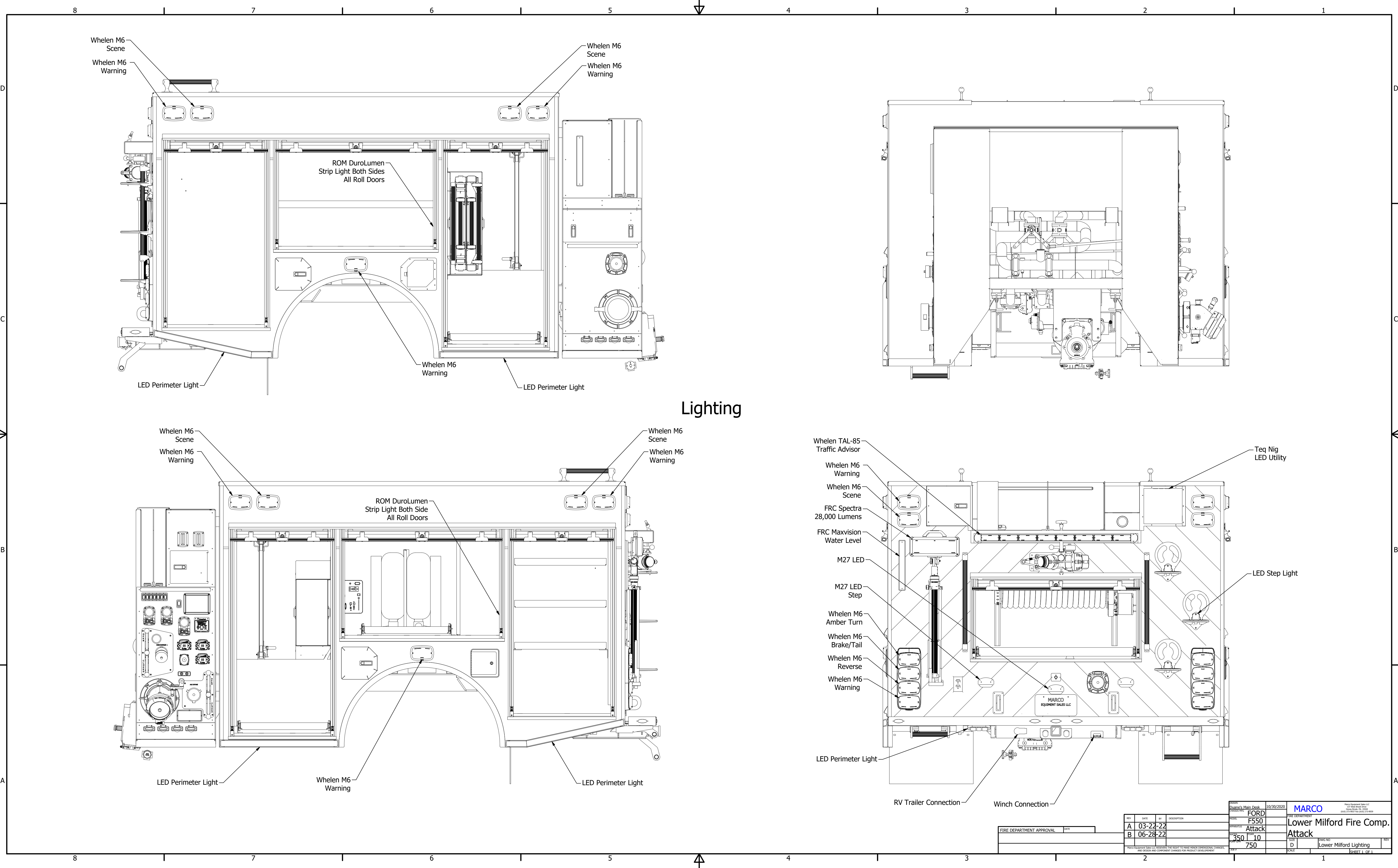
REVISED BY	FORD	DATE	10/30/2020
STATUS	F550	ATTACK	
SIZE	350	10	
SCALE	750		

MARCO
MARCO EQUIPMENT SALES LLC
137 Main Street, Suite 100
Lower Milford, NJ 08046
(609) 271-8877 Fax: (609) 271-8800

Lower Milford Fire Comp. Attack

Lower Milford Compartment Dimensions

Sheet 1 of 1



Lighting

FIRE DEPARTMENT APPROVAL		DATE	BY	DESCRIPTION	REV	DATE	BY	DESCRIPTION	REV	DATE	BY	DESCRIPTION
		A	03-22-22									
		B	06-28-22									
		D										

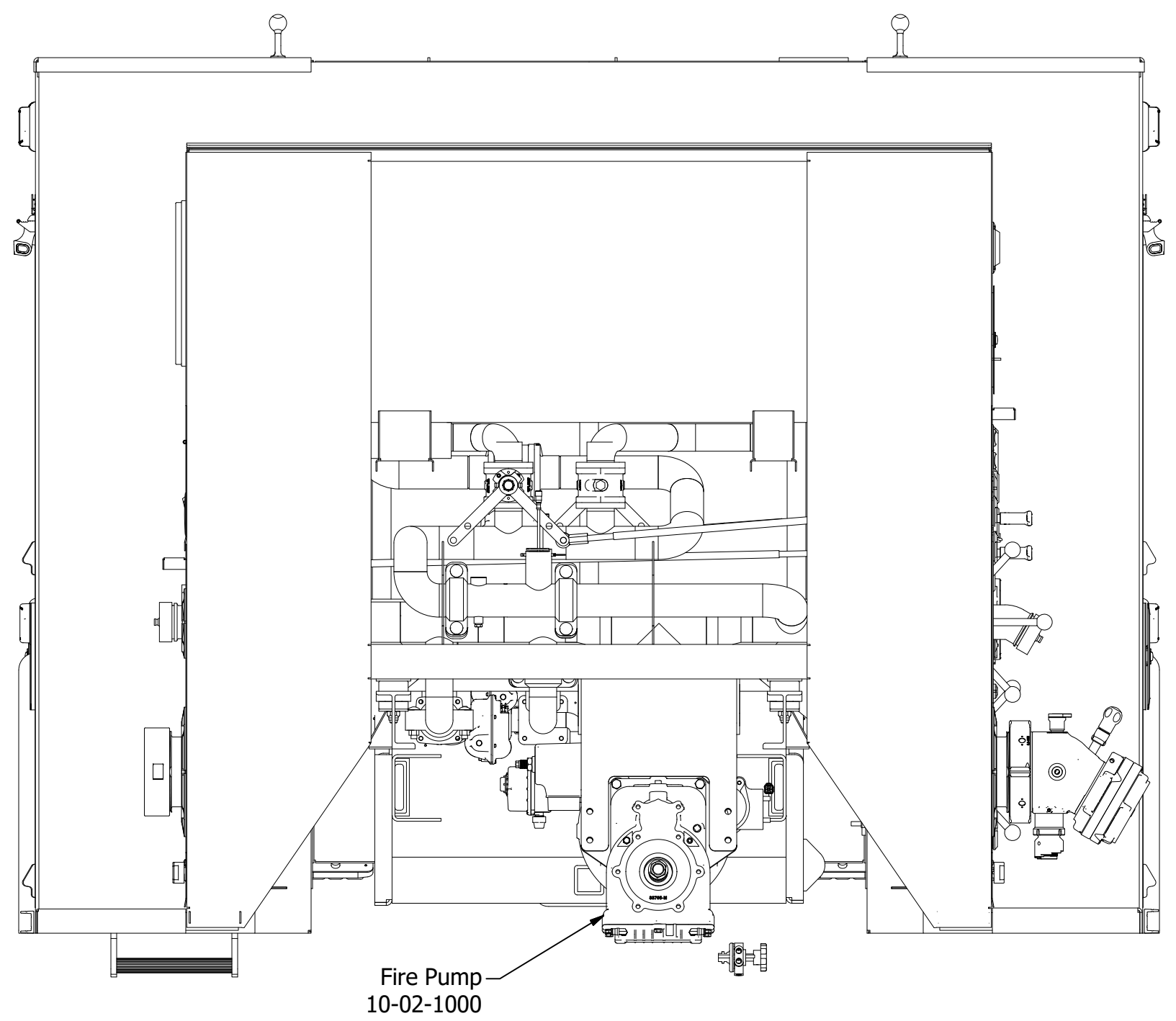
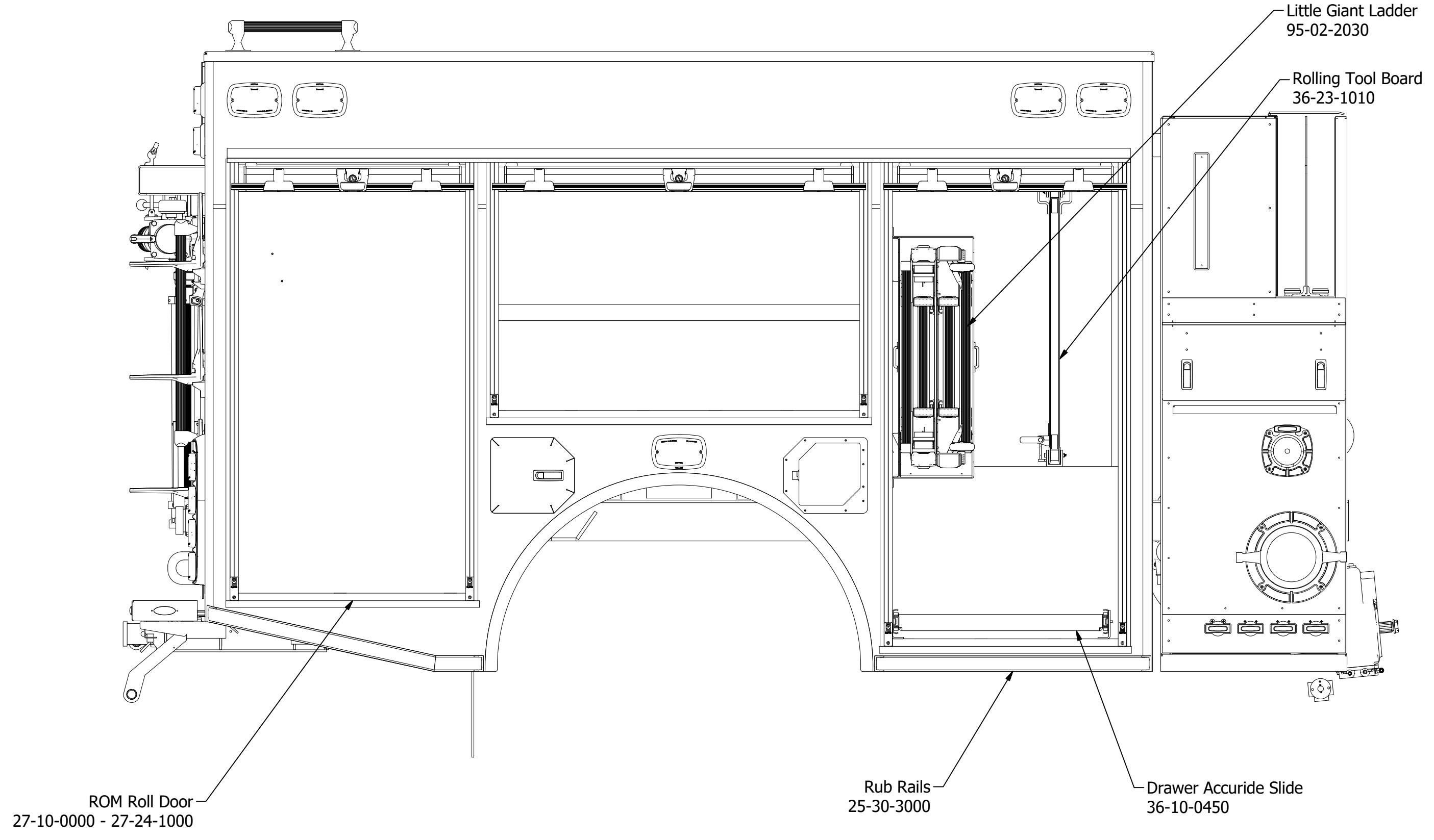
REVISED BY	DATE	DESCRIPTION
A	03-22-22	
B	06-28-22	
D		

REVISED BY	DATE	DESCRIPTION
A	03-22-22	
B	06-28-22	
D		

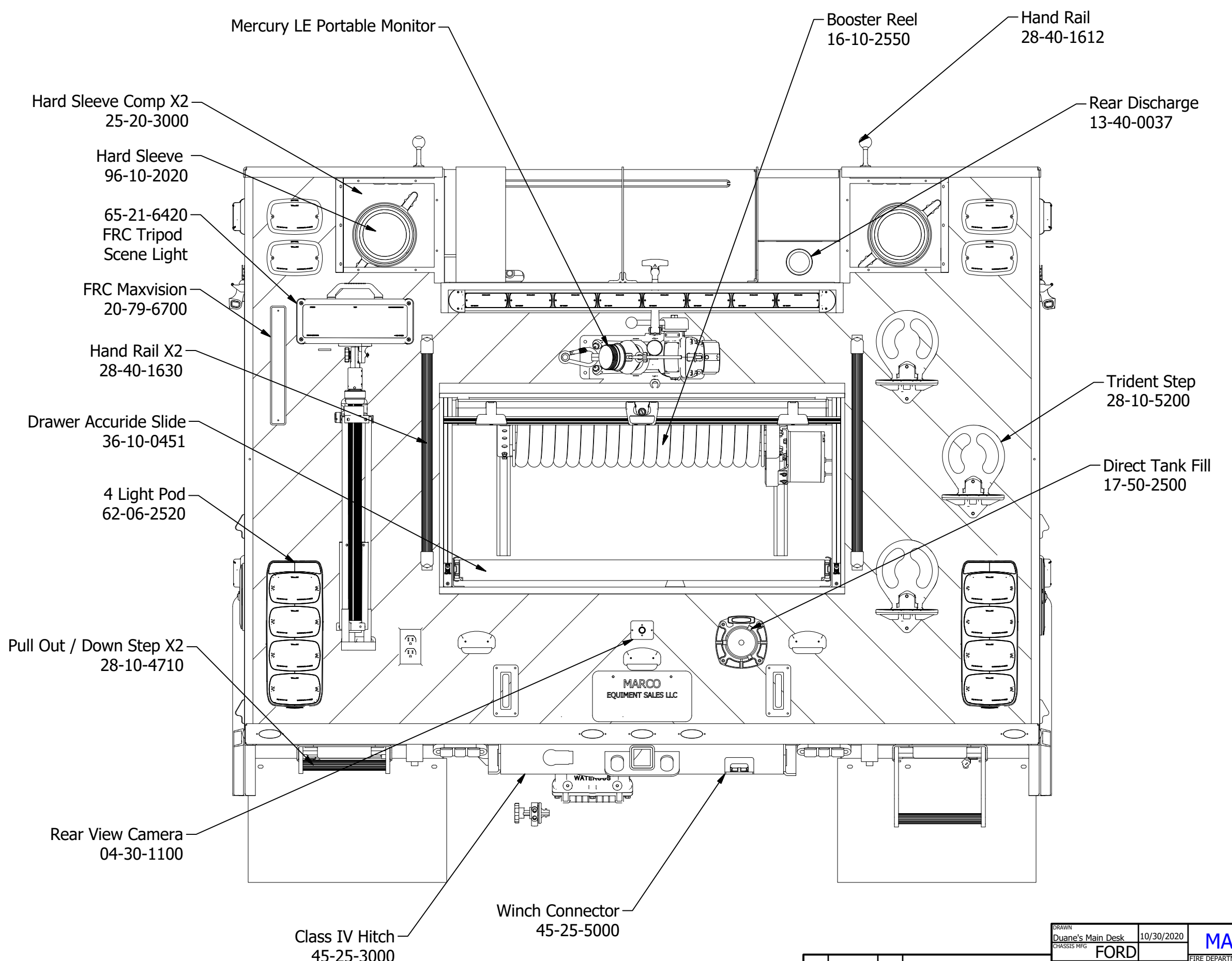
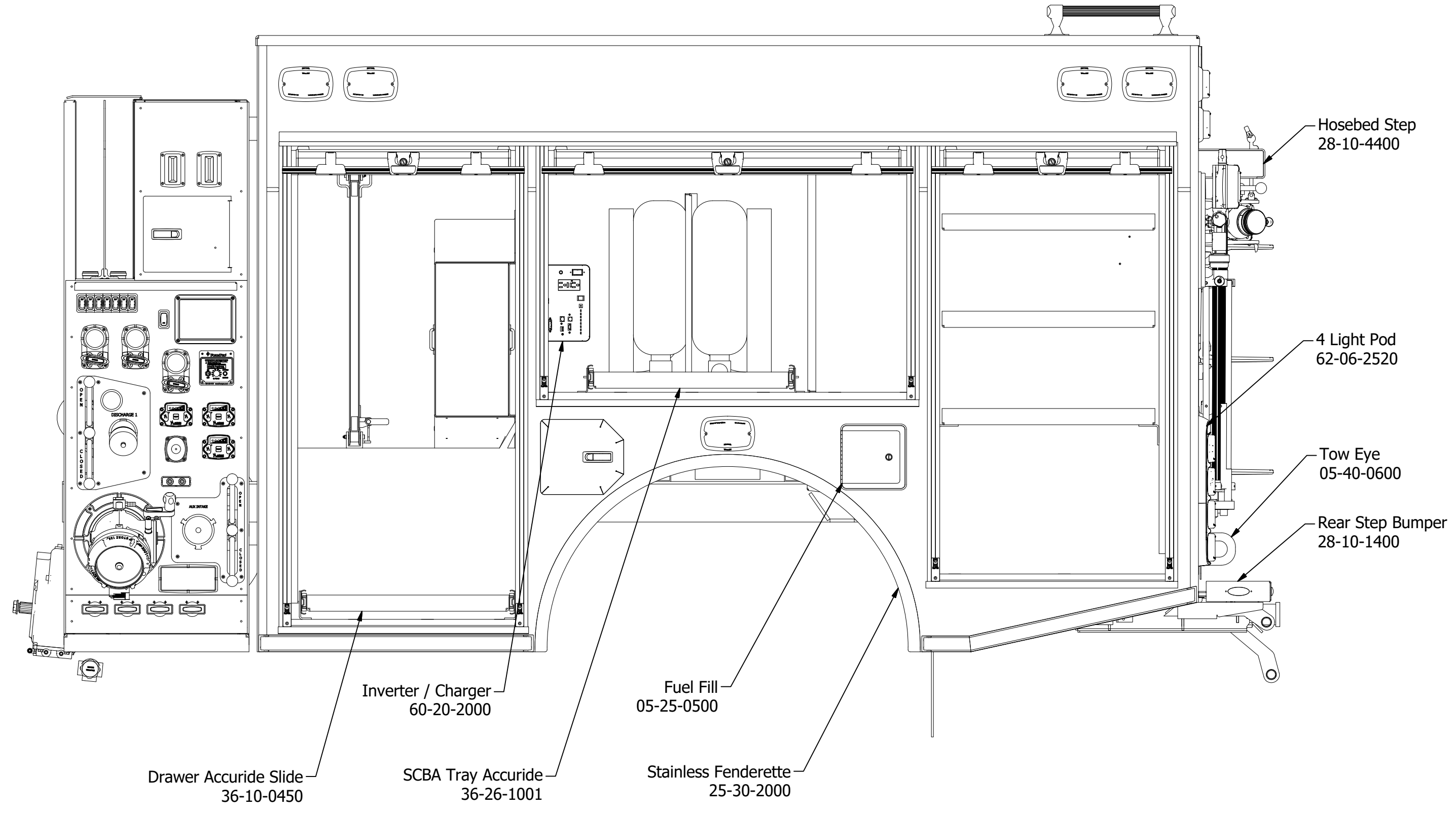
REVISED BY	DATE	DESCRIPTION
A	03-22-22	
B	06-28-22	
D		

Equipment's Main Deck 10/30/2020
MARCO
 Lower Milford Fire Comp.
 Attack
 350 10
 750
 Lower Milford Lighting
 SHEET 1 OF 1

8 7 6 5 4 3 2 1



Equipment

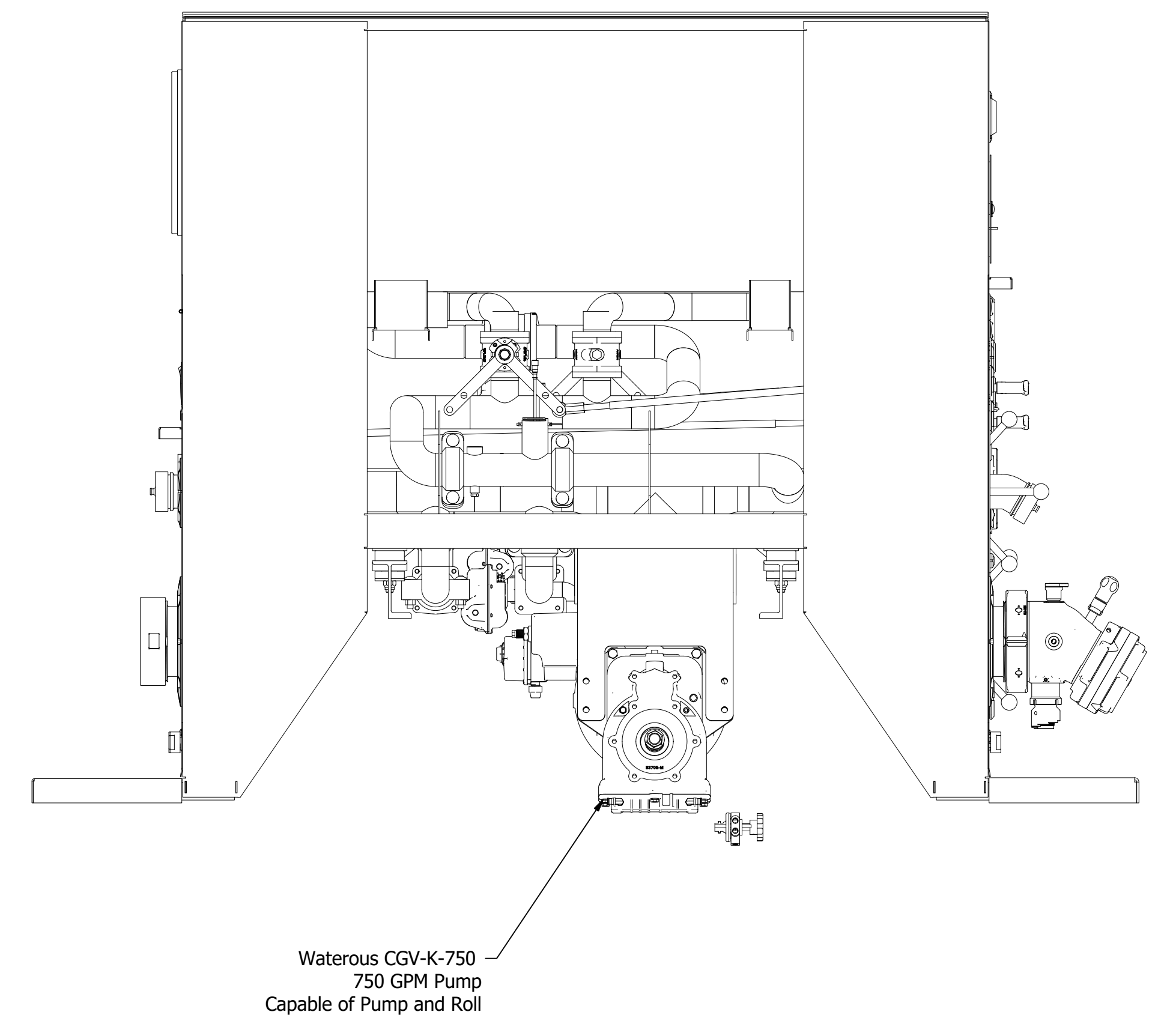
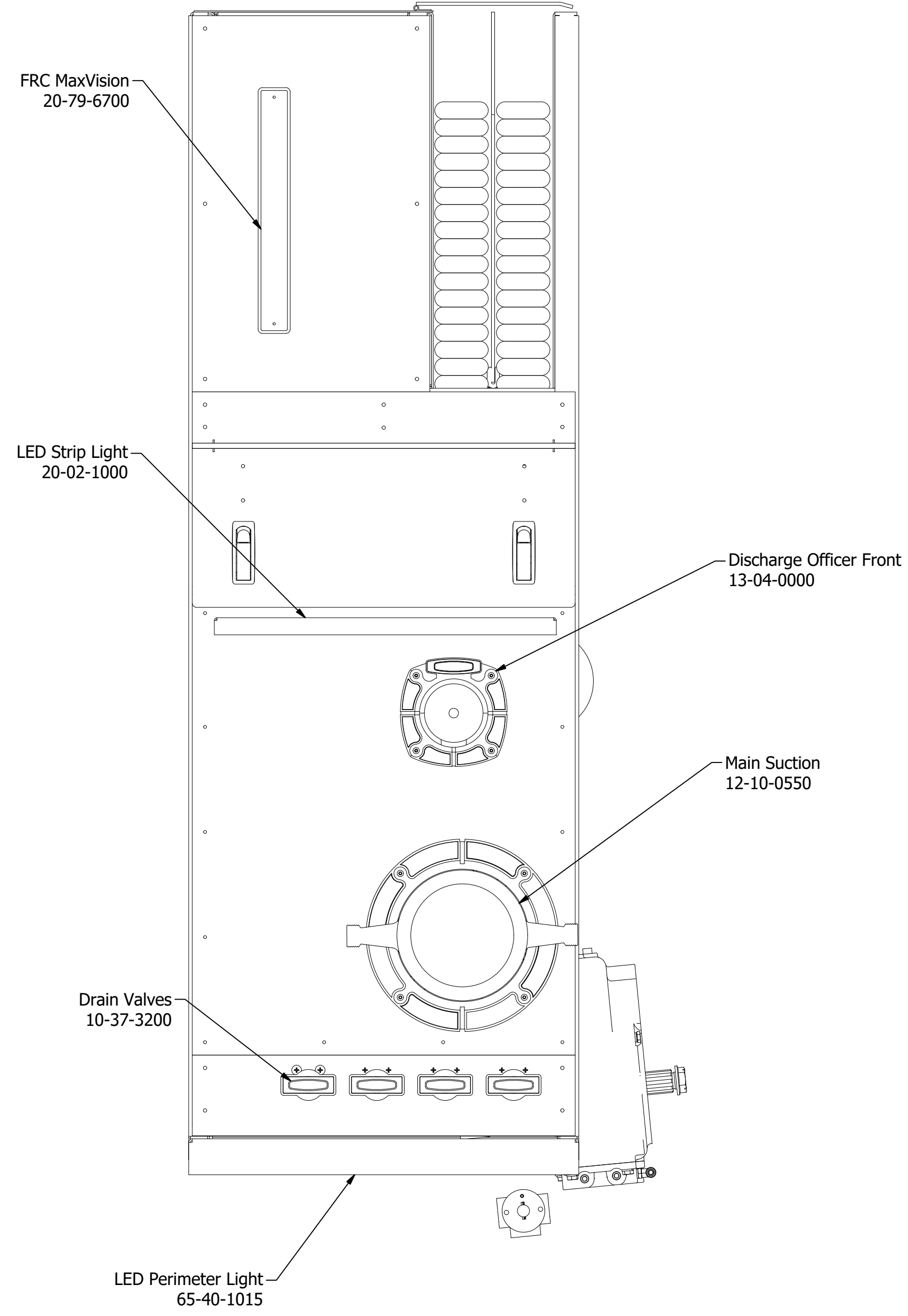
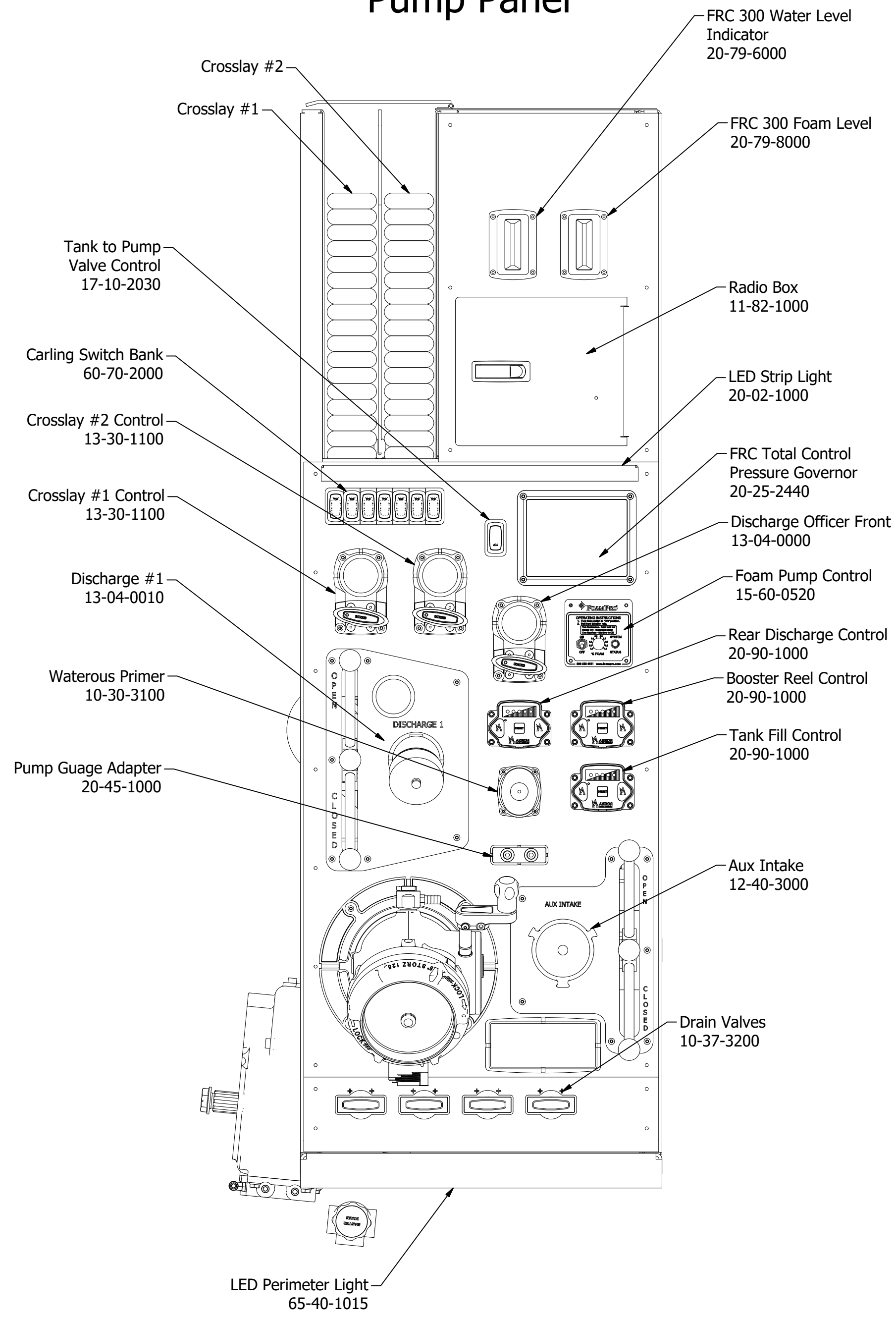


FIRE DEPARTMENT APPROVAL		DATE	BY	DESCRIPTION	REV	DATE	BY	DESCRIPTION	REV	DATE	BY	DESCRIPTION
		A	03-22-22		A	03-22-22						
		B	06-28-22		B	06-28-22						
		D			D							

Equipment's Main Deck 10/30/2020
MARCO
 FORD F550
 Attack
 350 10
 750
 Lower Milford Fire Comp. Attack
 Lower Milford Equipment
 SHEET 1 OF 1

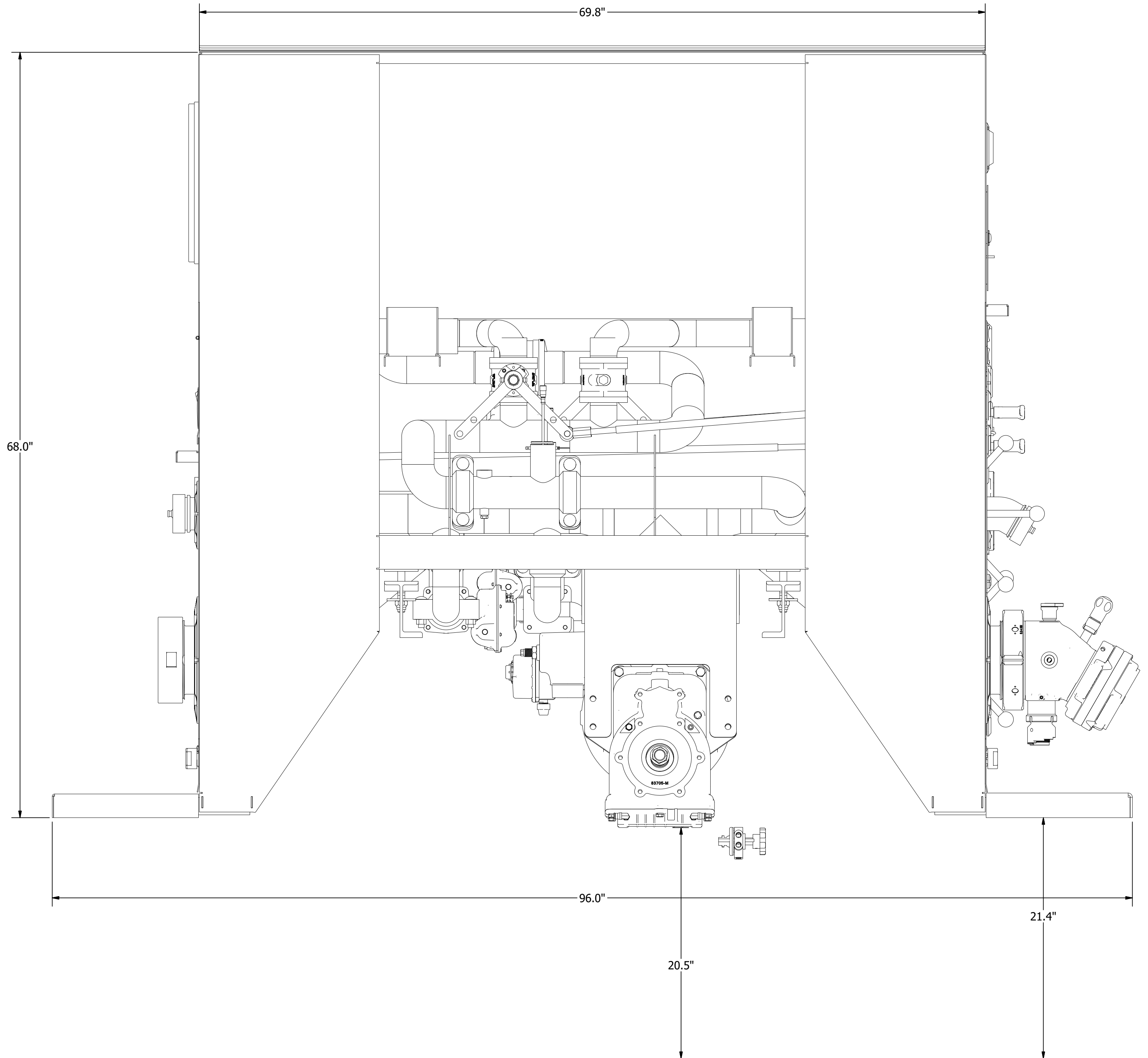
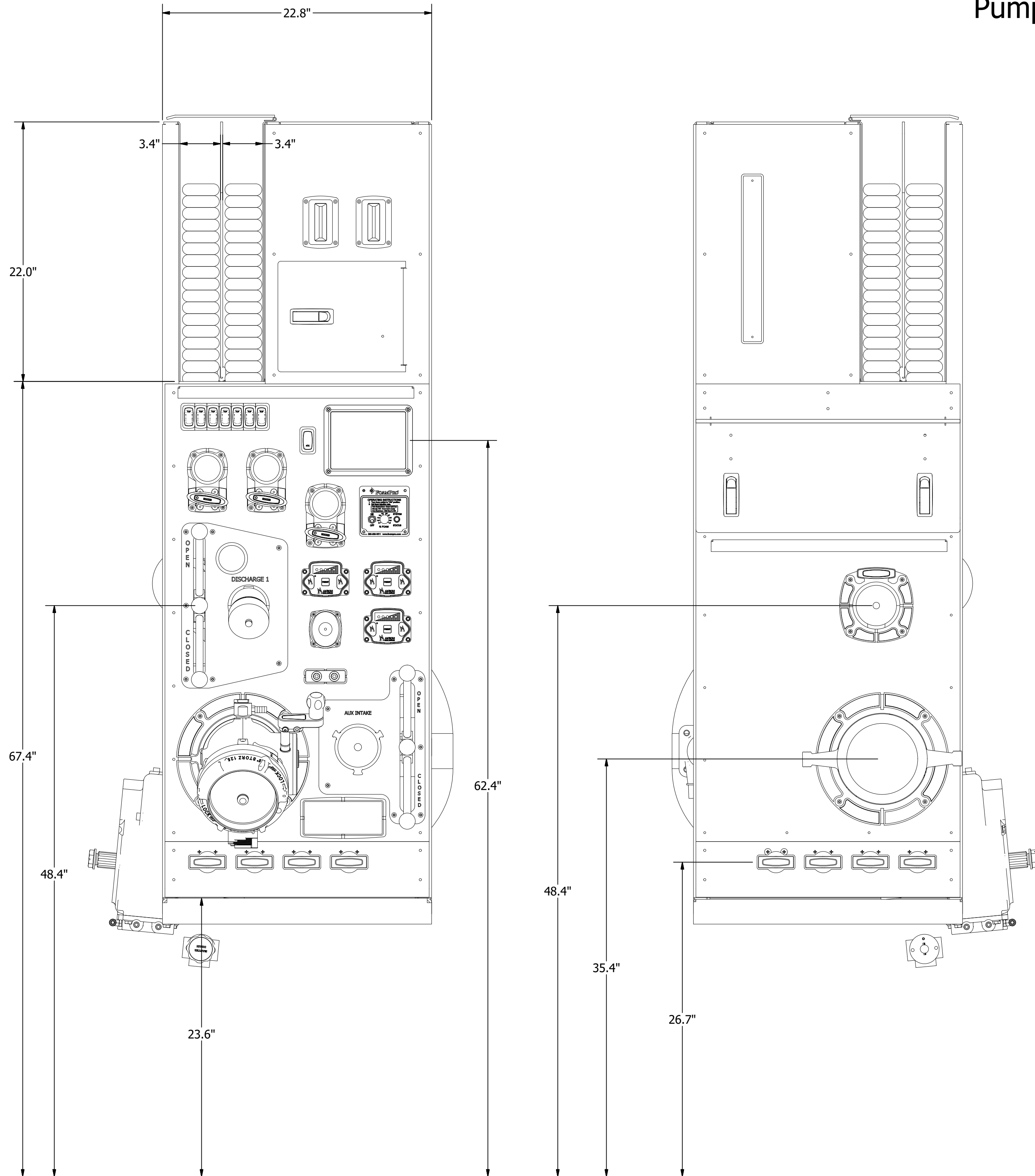
8 7 6 5 4 3 2 1

Pump Panel



FIRE DEPARTMENT APPROVAL		DATE		BY		DESCRIPTION		REV		DATE		BY		DESCRIPTION	
								A		03-22-22					
								B		06-28-22					
								D							
								350		10		750			
								MARCO		12/10/2020		FORD		F550	
								Lower Milford Fire Comp.		Attack		Attack		Attack	
								East Fishkill Pump House							

Pump House Dimensions



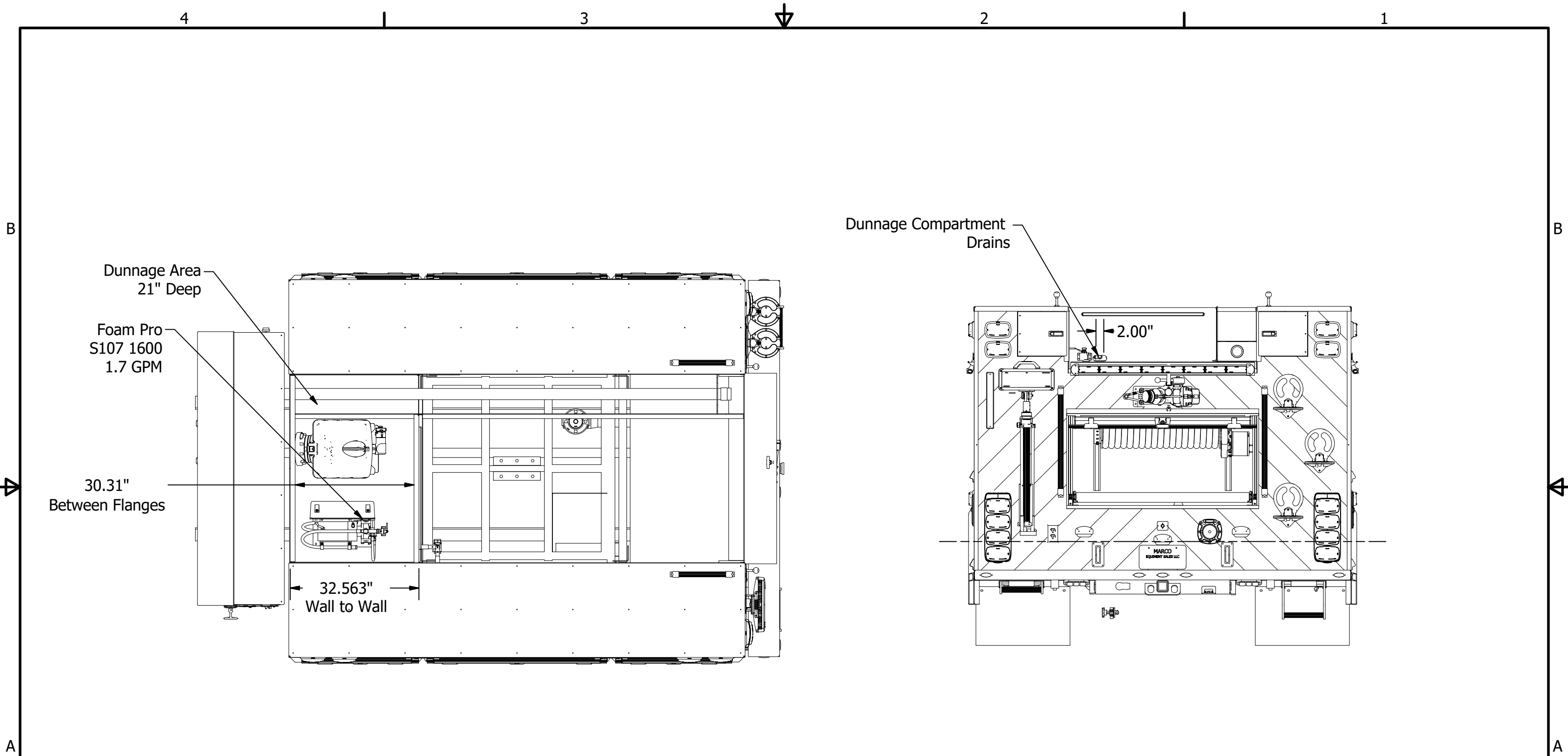
Ground Plane

FIRE DEPARTMENT APPROVAL _____ DATE _____

REV	DATE	BY	DESCRIPTION
A	03-22-22		
B	06-28-22		

REVISED BY	FORD	DATE	12/10/2020
REVISED BY	F550	DATE	
REVISED BY	Attack	DATE	
REVISED BY	350	DATE	10
REVISED BY	D	DATE	750
REVISED BY	SCALE	DATE	

MARCO
 Lower Milford Fire Comp.
 Attack
 Lower Milford Pump House
 DIMENSIONS



FIRE DEPARTMENT APPROVAL	DATE

REV	DATE	BY	DESCRIPTION
A	03-22-22		
B	07-20-22		

DRAWN User CHASSIS MFG FORD MODEL F550 APPARATUS Attack WATER PUMP GPM 350 FOAM 10 PUMP GPM 750 JOB #	4/19/2021 MARCO Fire Department Lower Milford Dunnage Area Ahead of Hose Bed East Fishkill Body _ Dunnage Area SHEET 1 OF 1	MARCO Marco Equipment Sales LLC 137 West Brook Drive Honey Brook, PA, 19344 (610) 273-9937 Fax (610) 273-9939
---	---	---

INT RANGE A2..E62 FOR WT&CG ***
 (C) Copyright Toner Associates 1989

WEIGHT AND CENTER OF GRAVITY CALCULATIONS 7/20/2022

VEHICLE: Lower Milford Fire Dept
 350 Gallons of Water - No Hose Load, no ladders - Includes Shelving shown on Print.

WHEELBASE: 169.30 inches TREAD (inches)
 CAB-TO-AXLE: 84.00 inches FRONT: 74.80
 REAR: 89.00

*** CHASSIS COMPONENTS ***

COMPONENT	F-WEIGHT	R-WEIGHT	TOTAL WT
Base chassis	4066.00	3021.00	7087.00
			0.00
			0.00
			0.00
TOTALS	4066.00	3021.00	7087.00
	HOR CG:	72.17 inches	

*** ADDED COMPONENTS ***

COMPONENT	HOR-CG	VERT-CG	LATERAL	WEIGHT
CHASSIS	72.17	35.00	0.00	7087.00
Lower Milford Body	164.50	59.70	0.00	8056.00
Frt Seat Fire Fighters	61.20	43.80	0.00	500.00
Center Console FRT & Rear	61.20	43.80	0.00	200.00
Front Bumper	-41.43	30.00		190.00
Skid Plates	80.00	24.00		200.00
Running Boards	60.00	24.00		60.00
Light Bar	60.00	82.00		35.00
Super Single Front Buck	0.00			336.00
Super Single Rear Buck	169.30			336.00
Remove Front OEM Tires	0.00			-200.00
Remove Rear OEM Tires	169.30			-400.00
Remove Center Seat	61.20	43.80		-55.00
PAYLOAD				

TOTAL WEIGHT 16345.00

HORIZONTAL CENTER OF GRAVITY: 114.97 inches
 VERTICAL CENTER OF GRAVITY: 47.23 inches
 LATERAL CENTER OF GRAVITY: 0.00 inches

	LEFT	RIGHT	TOTAL
FRONT AXLE (pounds):	2622.78	2622.78	5245.56
REAR AXLE (pounds):	5549.72	5549.72	11099.44
Loose Equipment Payload			3155.00

% OF EQUIPMENT AND PAYLOAD WEIGHT: FRONT AXLE 12.74% REAR AXLE 87.26%
 % OF TOTAL VEHICLE WEIGHT: FRONT AXLE 32.09% REAR AXLE 67.91%

Weights include NFPA Fire Fighter weights.

Weights do not include loose equipment or hose load.

FIRE DEPARTMENT APPROVAL		DATE	BY	DESCRIPTION	REV	DATE	BY	DESCRIPTION	REV	DATE	BY	DESCRIPTION	REV
		03-22-22			A	07-20-22			B	07-20-22			

REV	DATE	BY	DESCRIPTION
A	03-22-22		
B	07-20-22		
D			

REV	DATE	BY	DESCRIPTION
A	03-22-22		
B	07-20-22		
D			

REV	DATE	BY	DESCRIPTION
A	03-22-22		
B	07-20-22		
D			