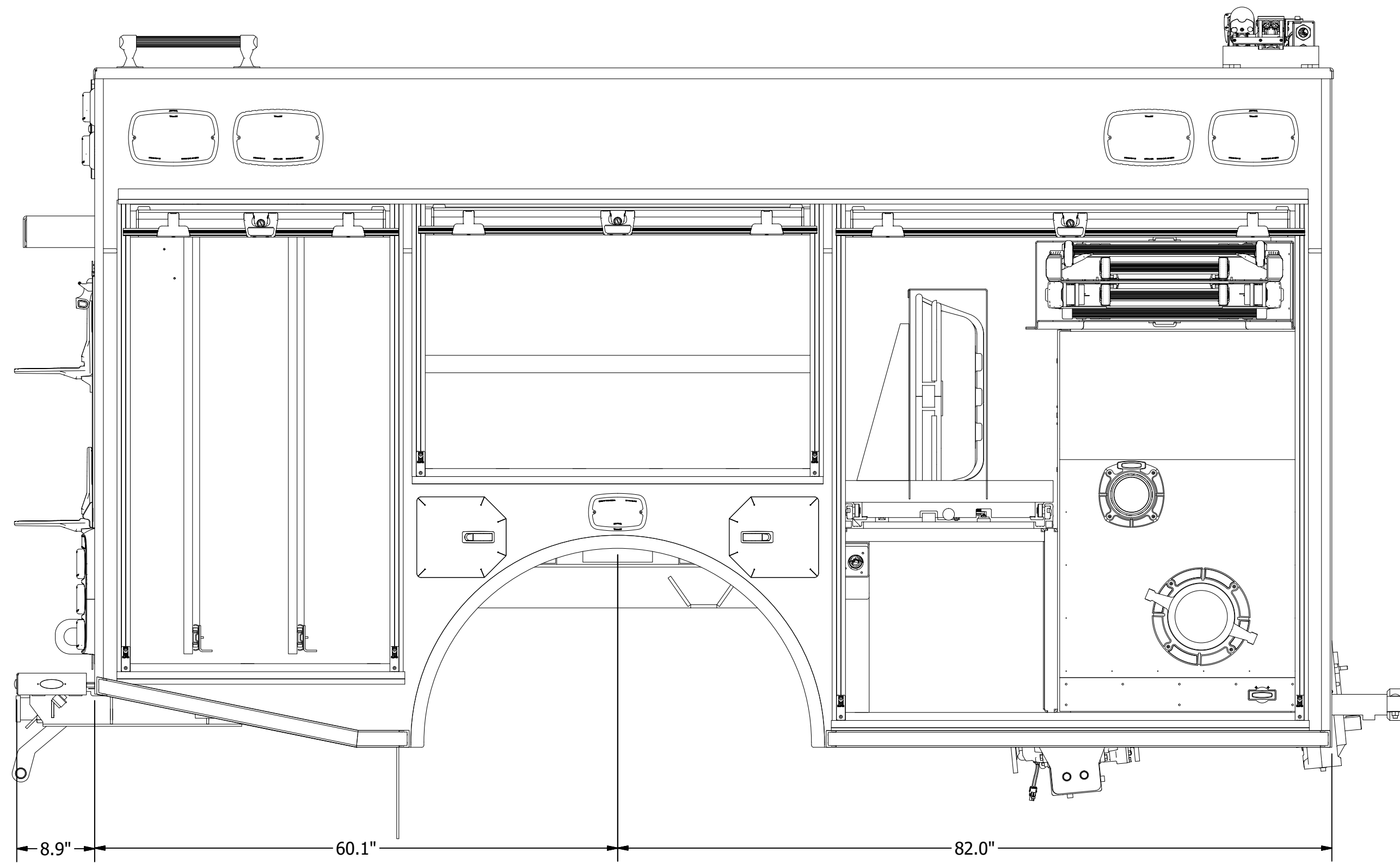
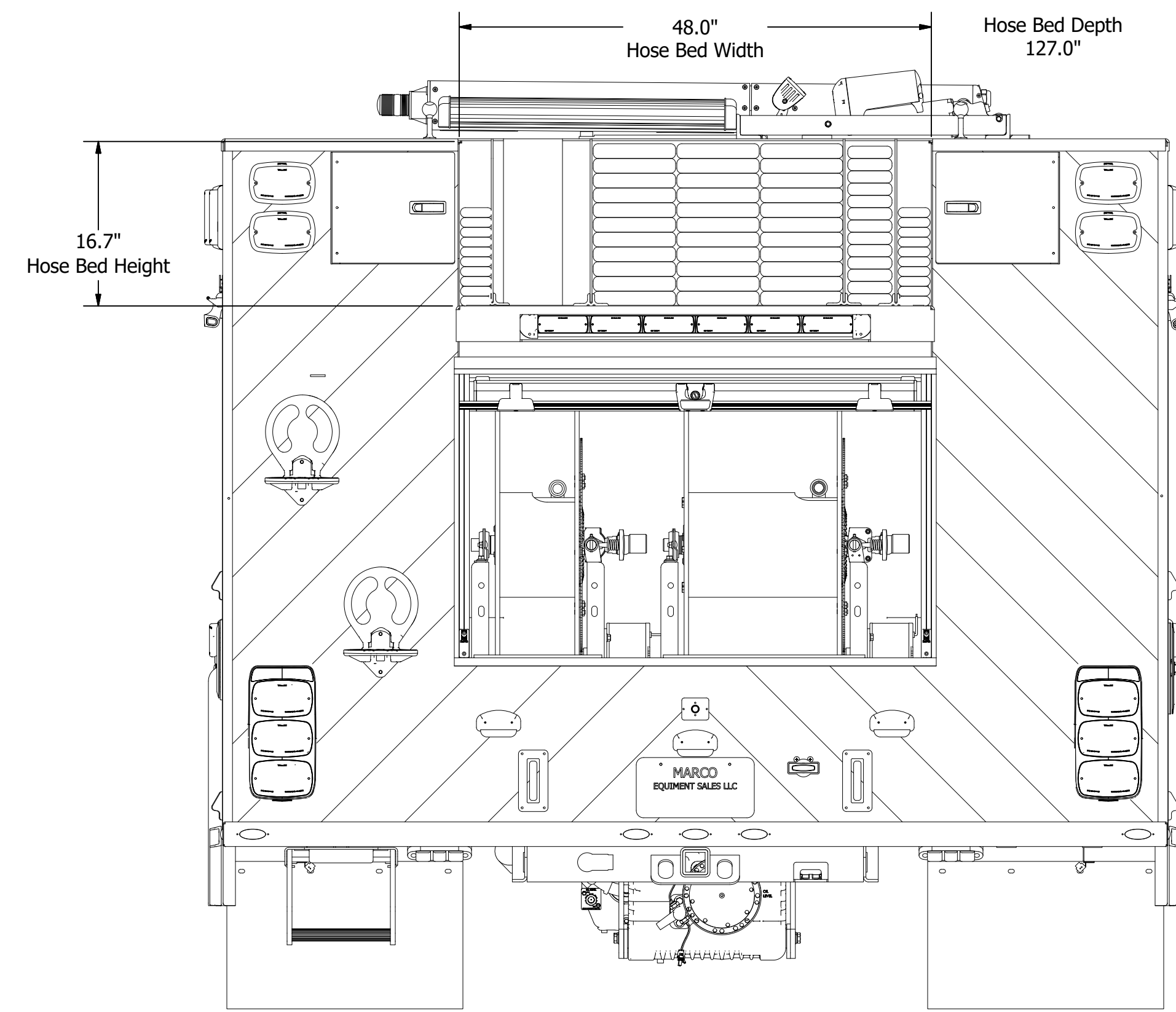
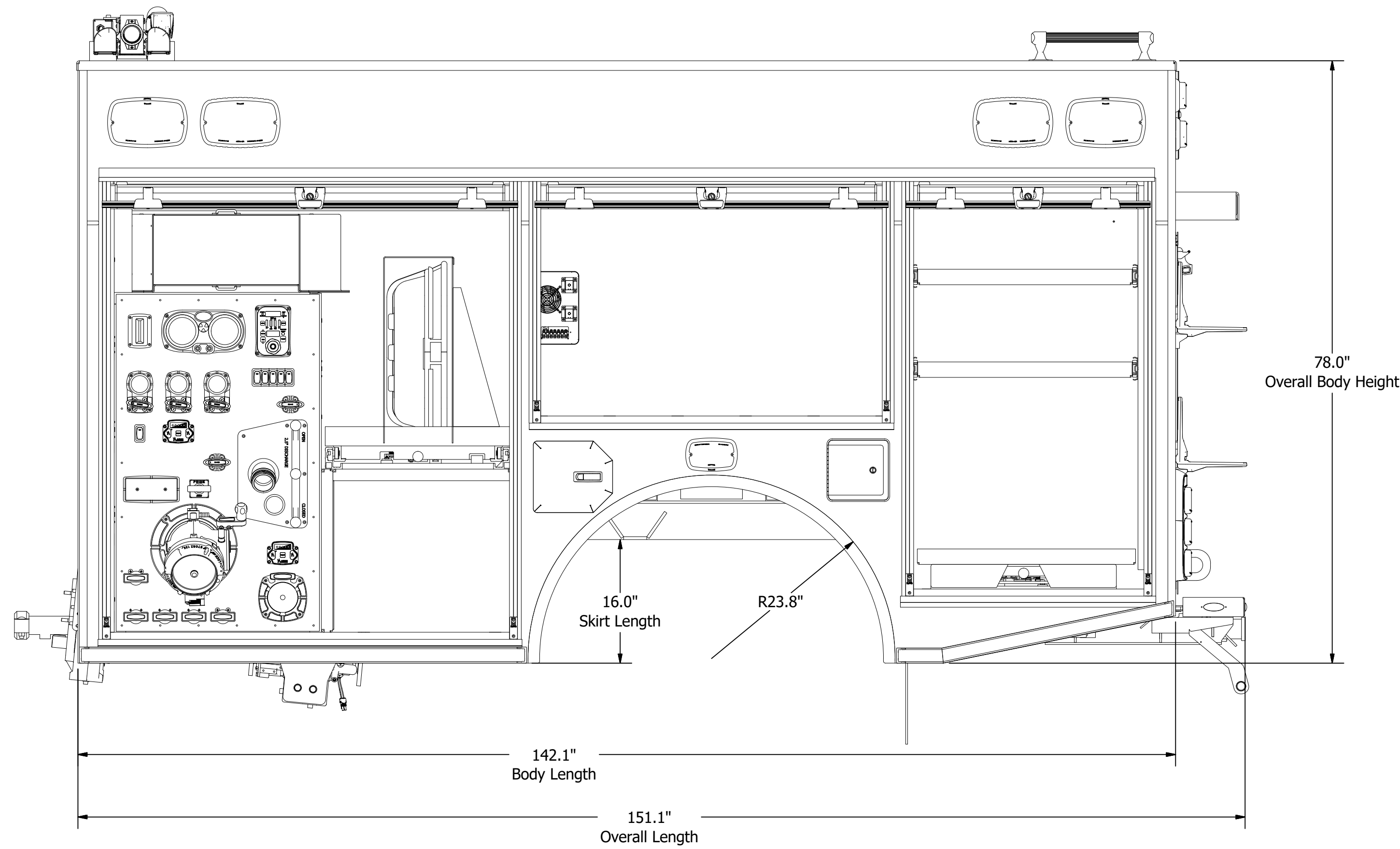
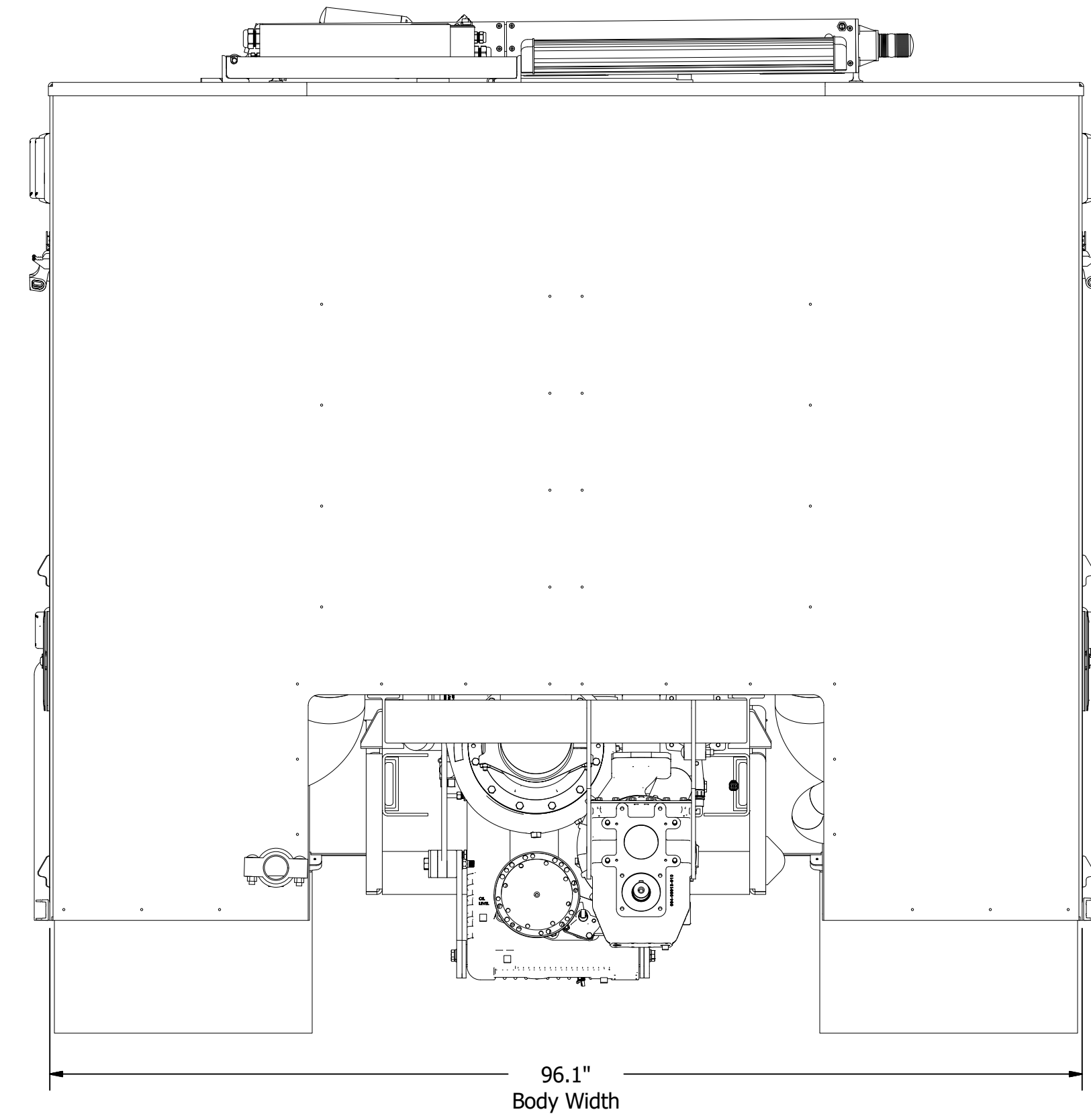


FIRE DEPARTMENT APPROVAL		DATE	BY	DESCRIPTION	REV	DATE	BY	DESCRIPTION	REV	DATE	BY	DESCRIPTION	REV
		A	08-26-22										

Project Name FORD F550 Attack Truck	Project No. 300	Date 12/10/2020	Rev 1	Project Manager East Fishkill Renderings
Supplier MARCO EQUIPMENT SERVICES LLC	Part No. DSD 1250 AF500	Description New Philadelphia Attack Truck	Drawing No. 1	Scale 1:1



Body Dimensions

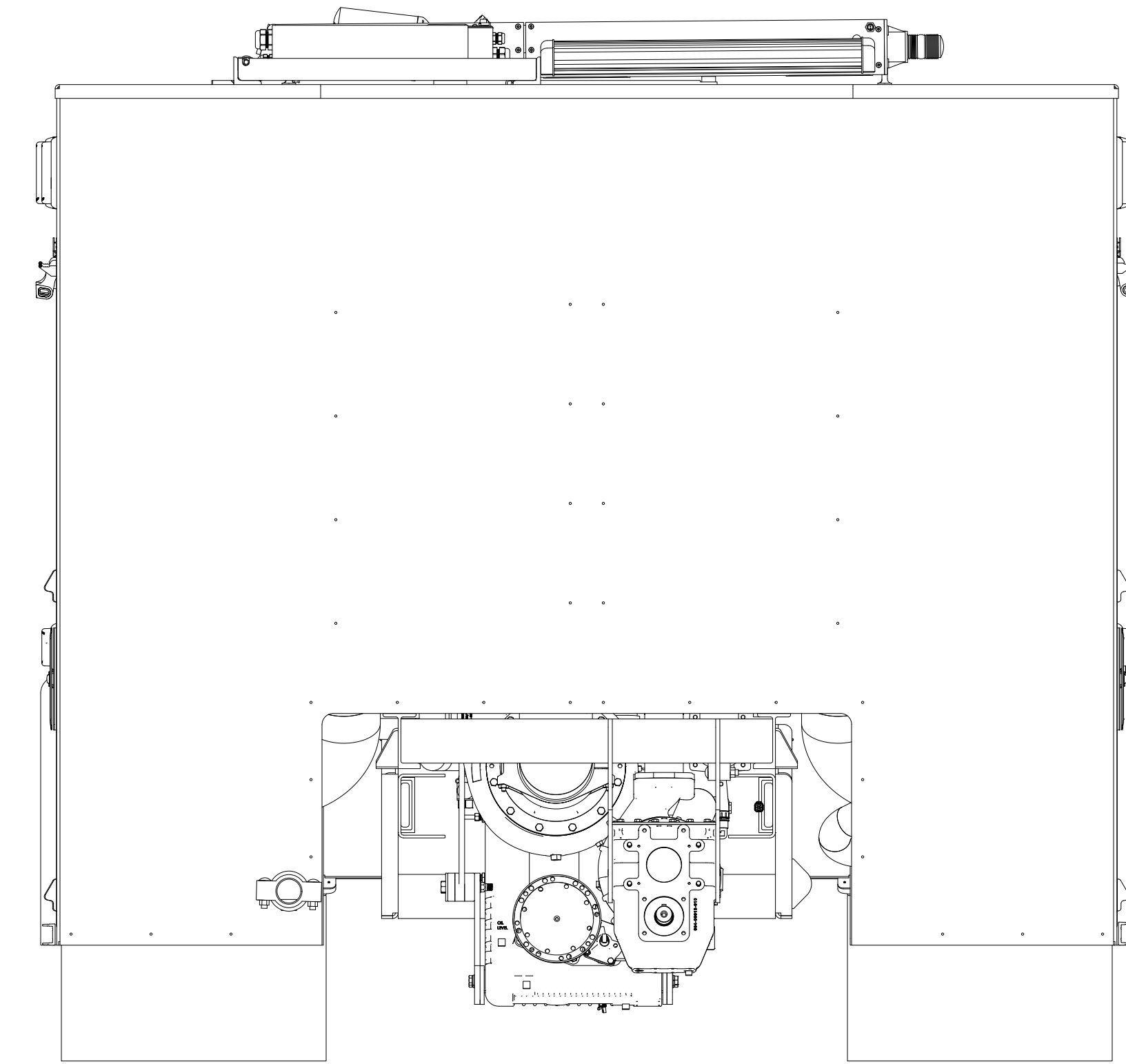
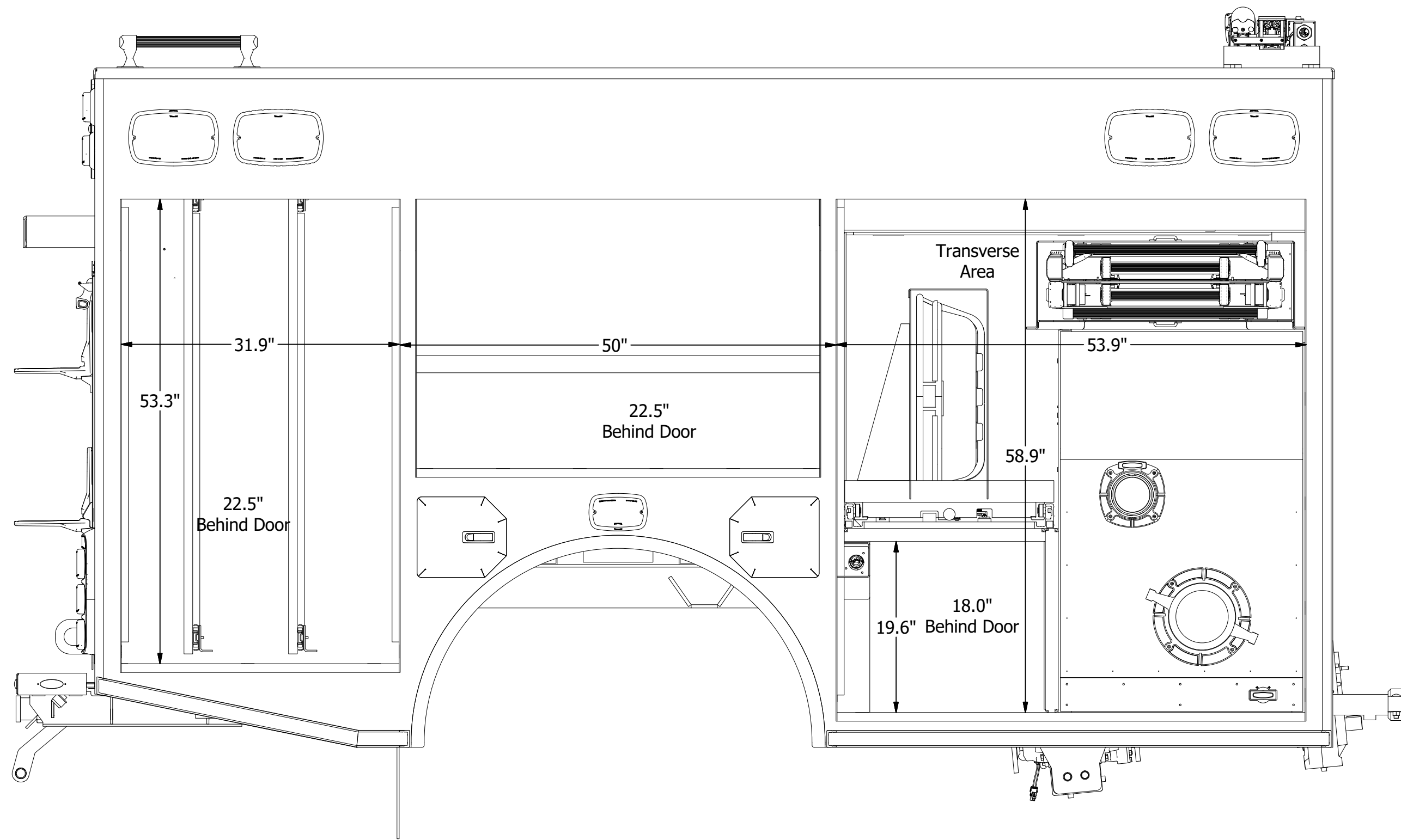


FIRE DEPARTMENT APPROVAL _____ DATE _____

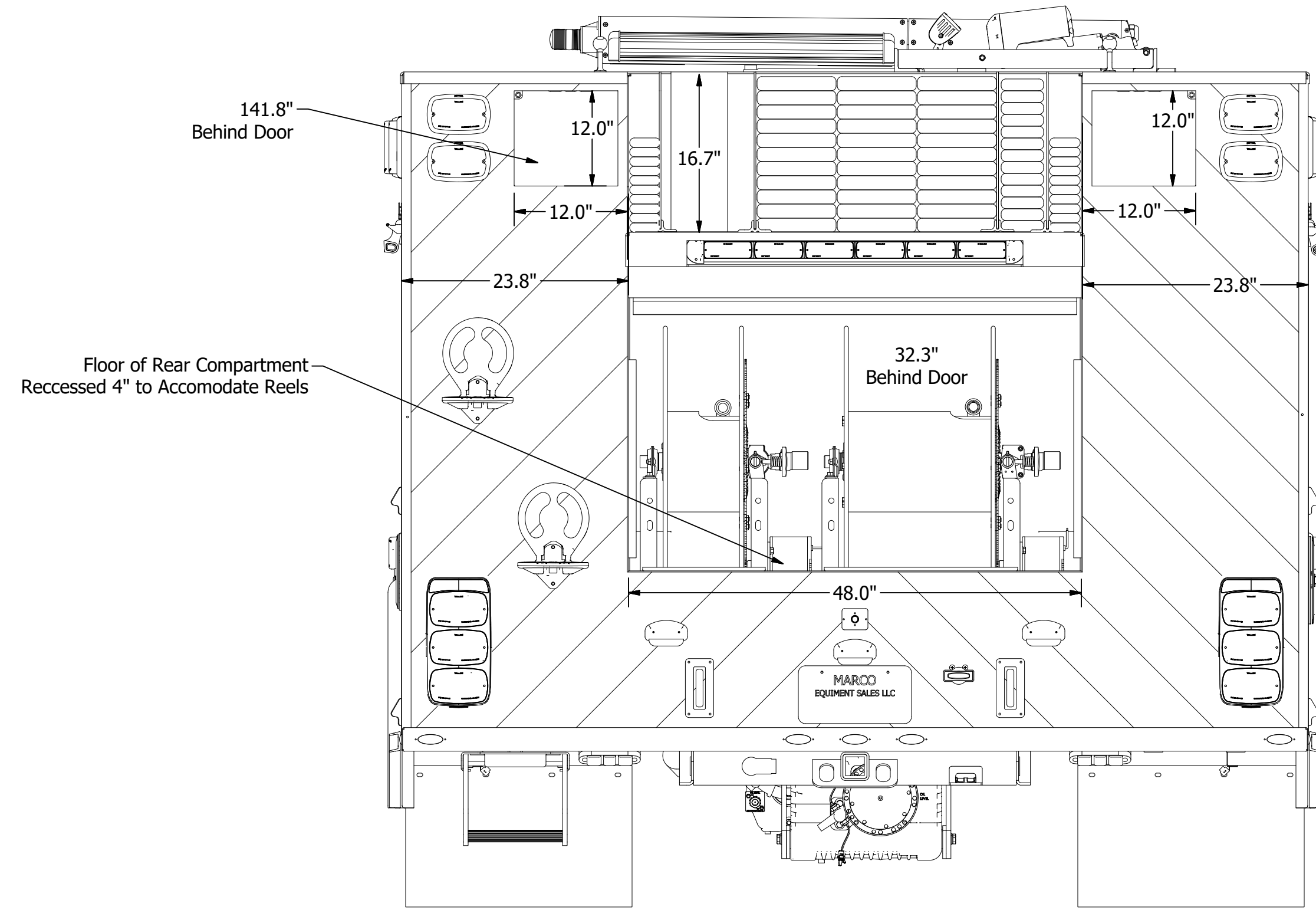
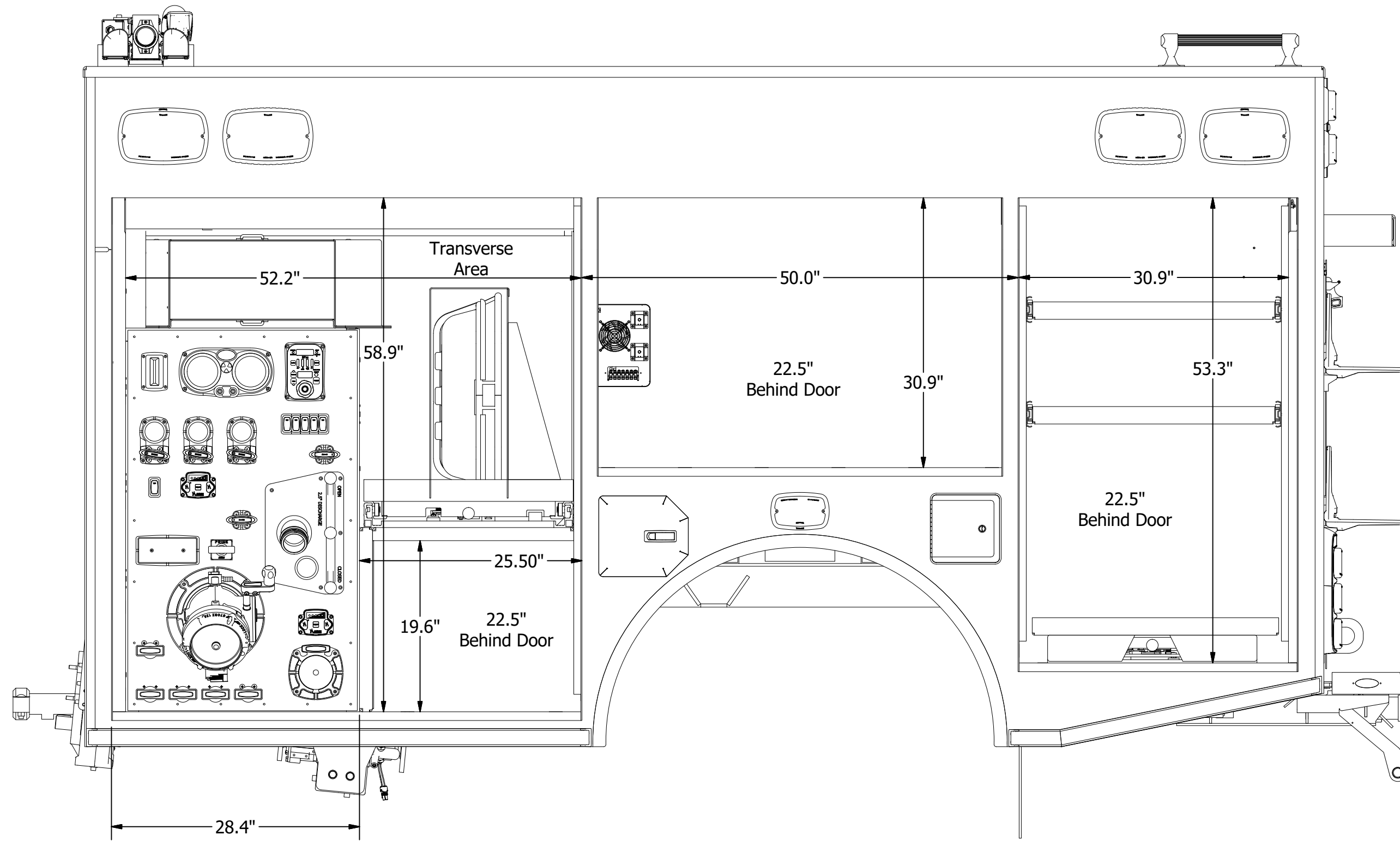
REV	DATE	BY	DESCRIPTION
A	08-25-22		
B	10-28-22		

Customer's Make/Model/Year	10/30/2020	MARCO	Part Equipment Sales, LLC 117 Philadelphia Pike Aston, PA 19004 (610) 377-9337 Fax: (610) 377-8909
Model	550	New Philadelphia	
Options	Attack	Attack Truck	
Price	300,000		
Part #	DSD 1250 AP500		
Size	D		
Color			

Austerlitz Body Dimensions Rev A



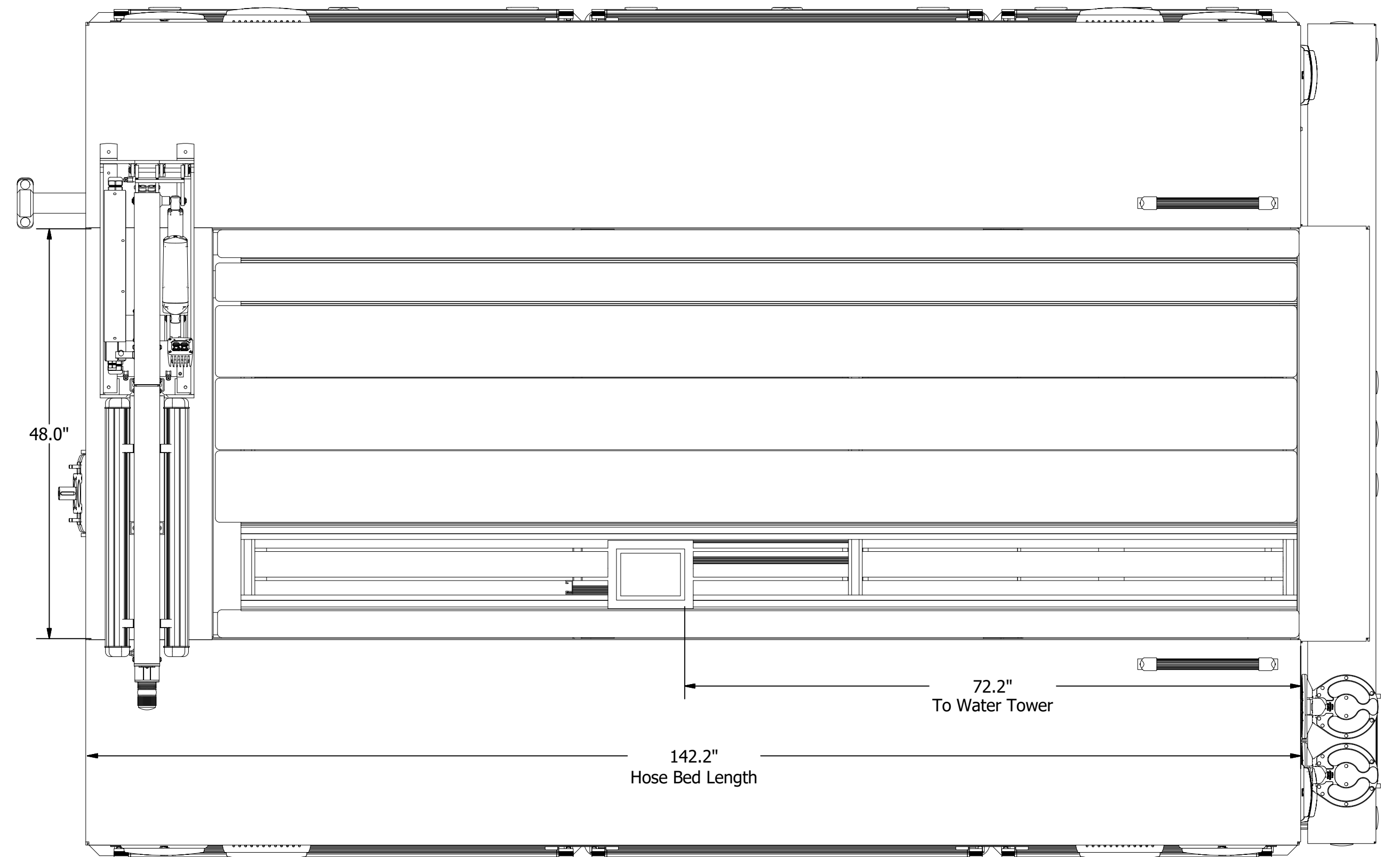
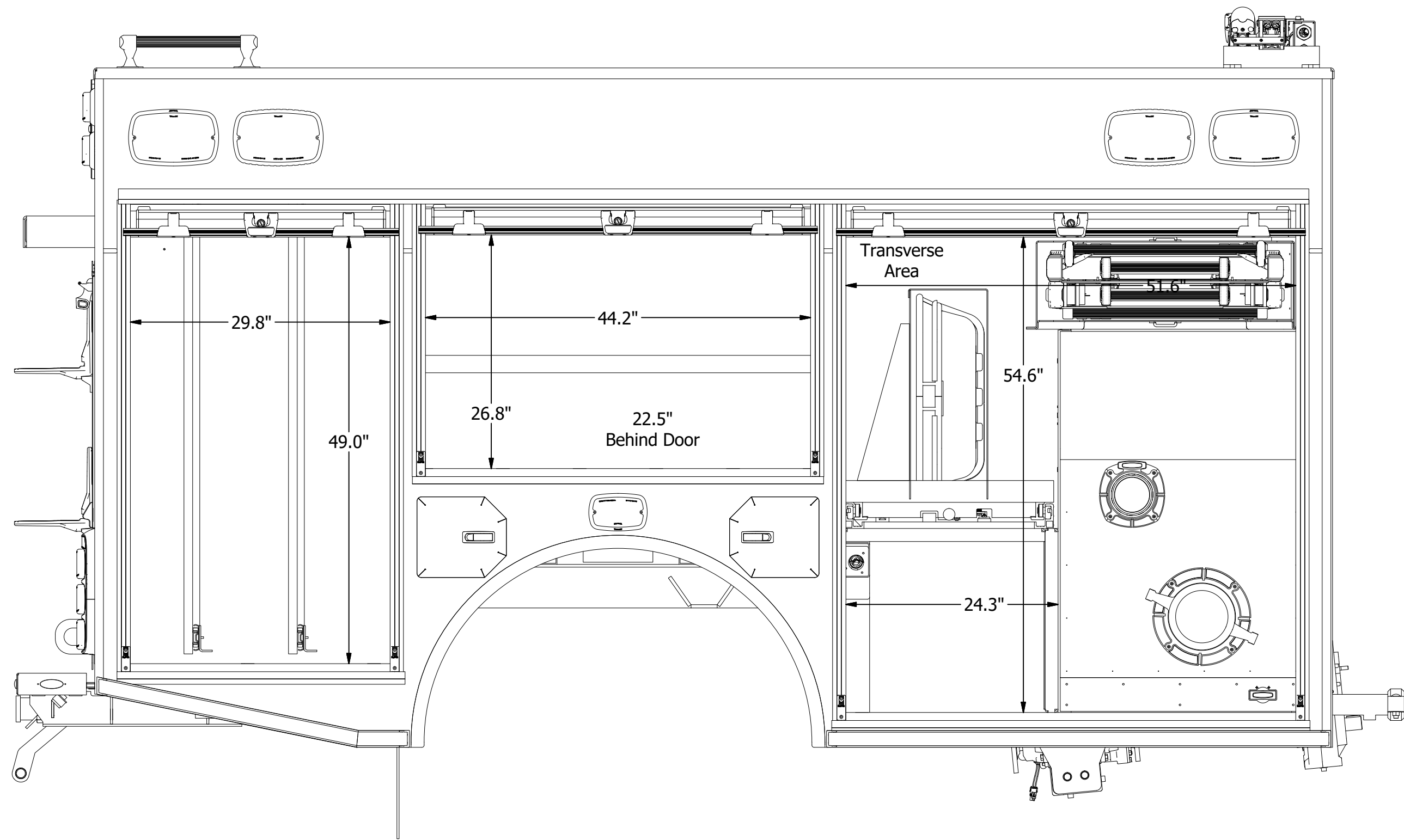
Compartment Dimensions
Wall to Wall



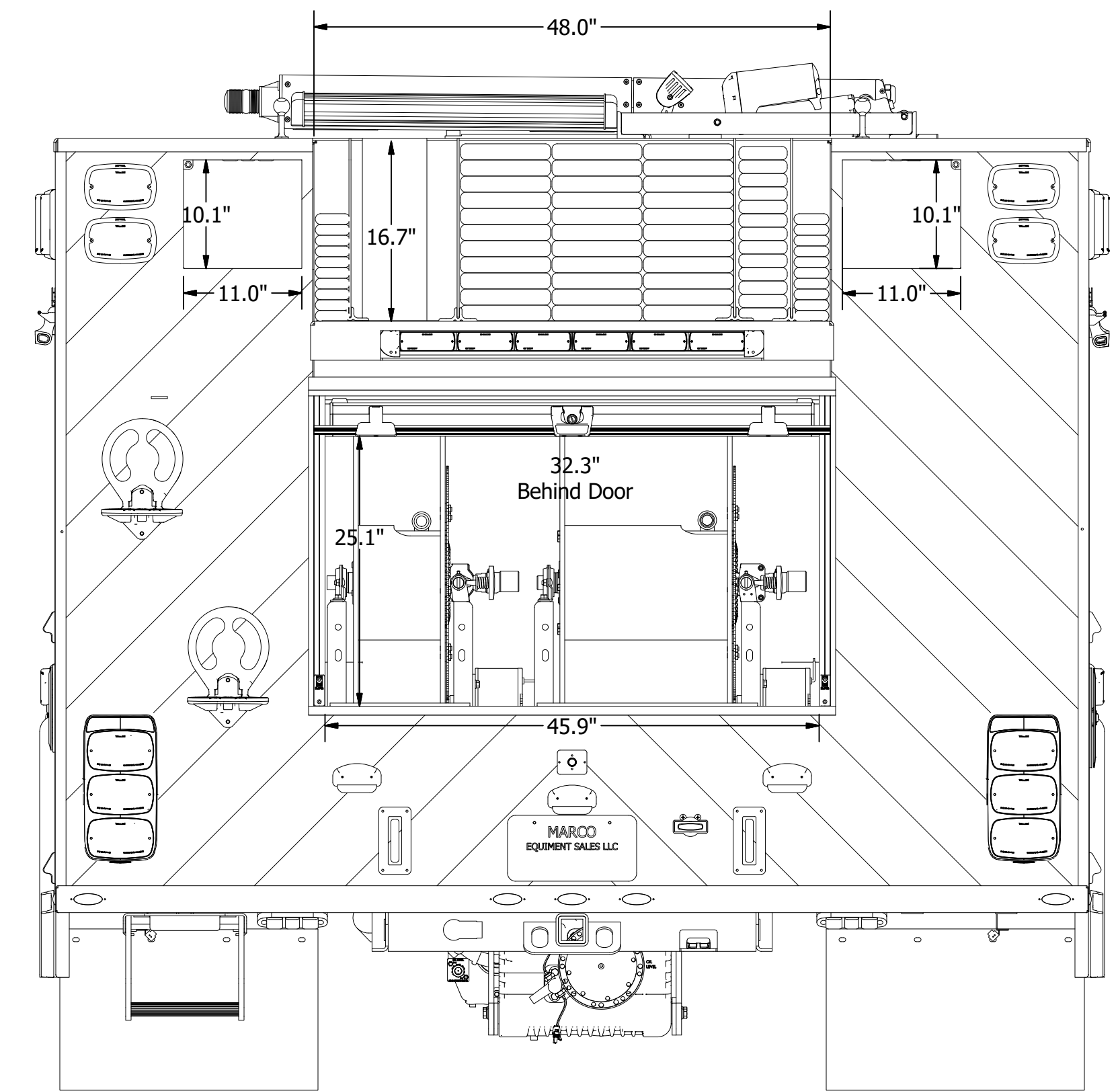
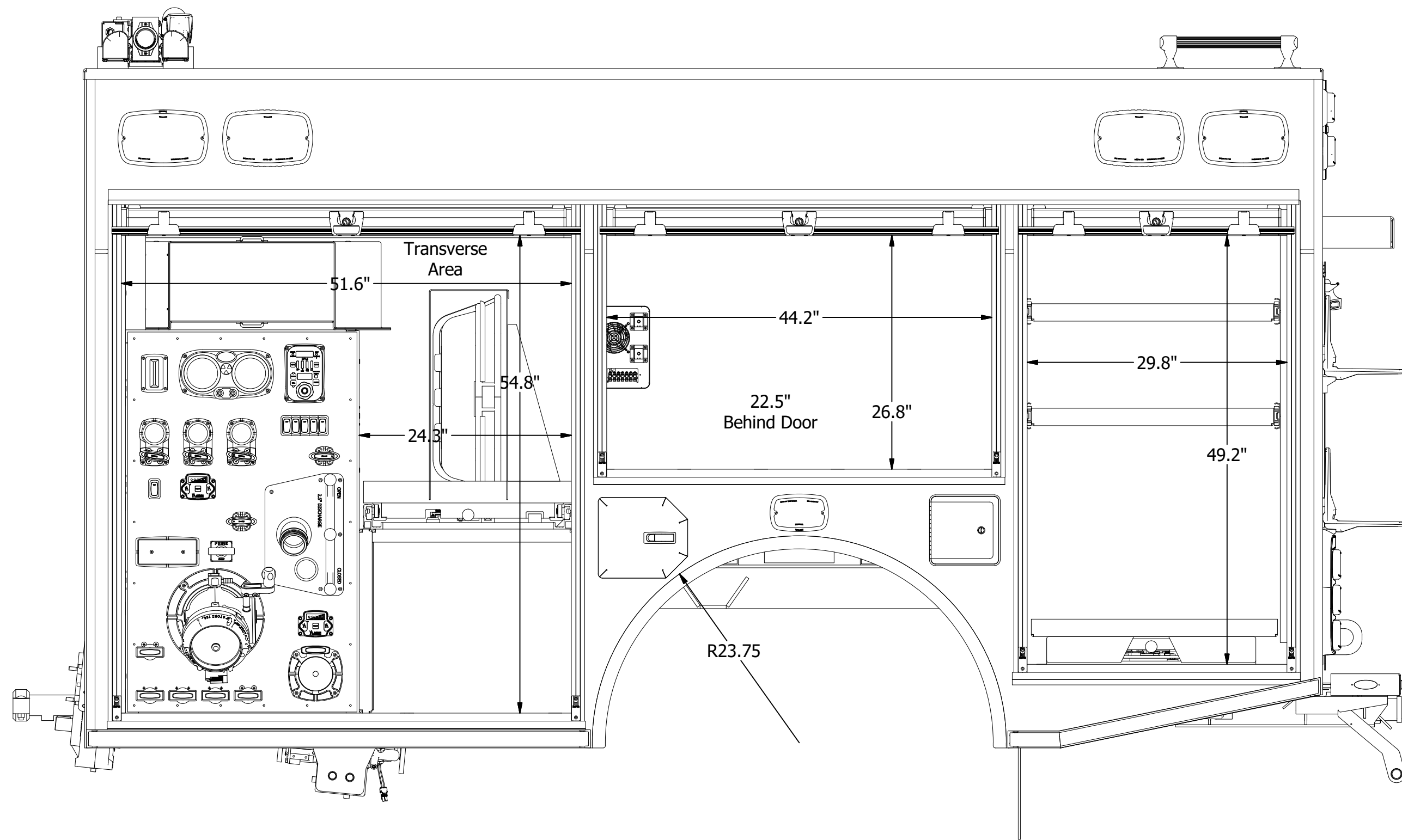
FIRE DEPARTMENT APPROVAL _____ DATE _____

REV	DATE	BY	DESCRIPTION
A	08-25-22		
B	10-28-22		

Equipment's Make, Model, and Year Ford 550 Year: 2020	Date: 10/30/2020 MARCO Fire Equipment Sales, LLC 117 Philadelphia Pike, Suite 100 Philadelphia, PA 19104 (215) 381-7400 Fax: (215) 381-7500
Equipment's Name Attack Truck	Fire Department New Philadelphia Attack Truck
Equipment's Part Number 300	Equipment's Part Number DSD 1250 AP500
Equipment's Part Name Attack Truck	Equipment's Part Name Austerlitz Compartment Dimensions



Door Opening Dimensions



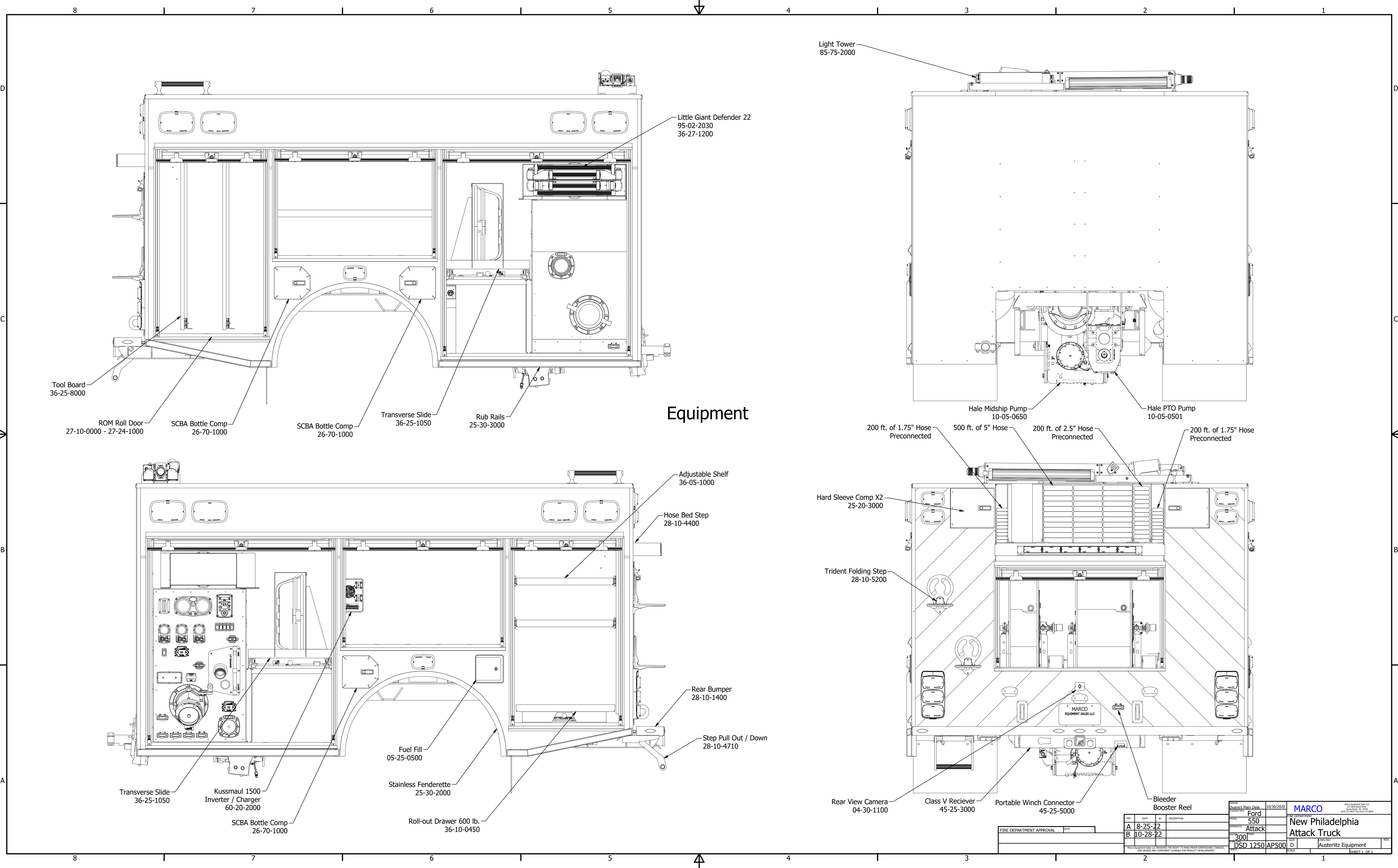
FIRE DEPARTMENT APPROVAL _____ DATE _____

REV	DATE	BY	DESCRIPTION
A	08-25-22		

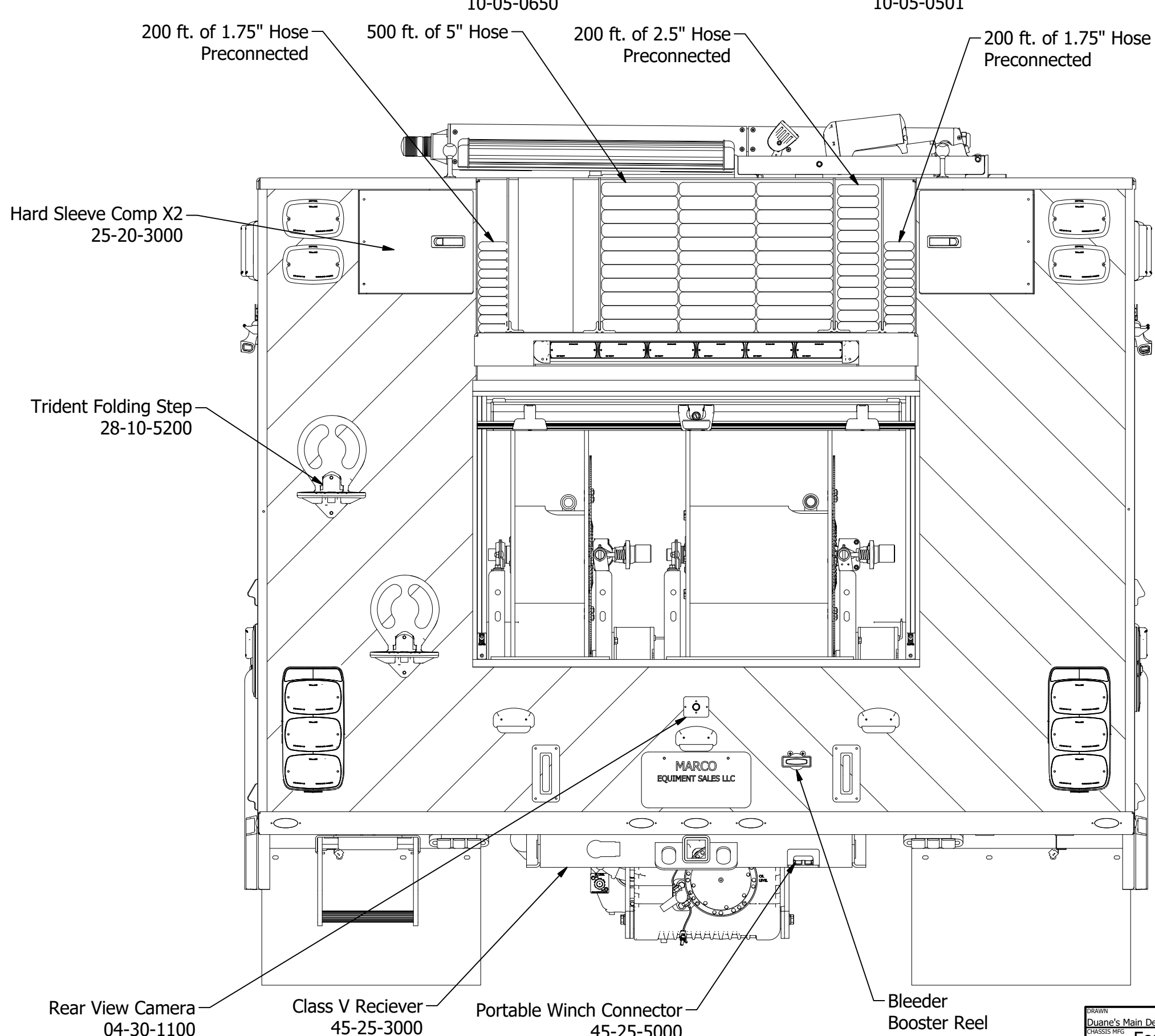
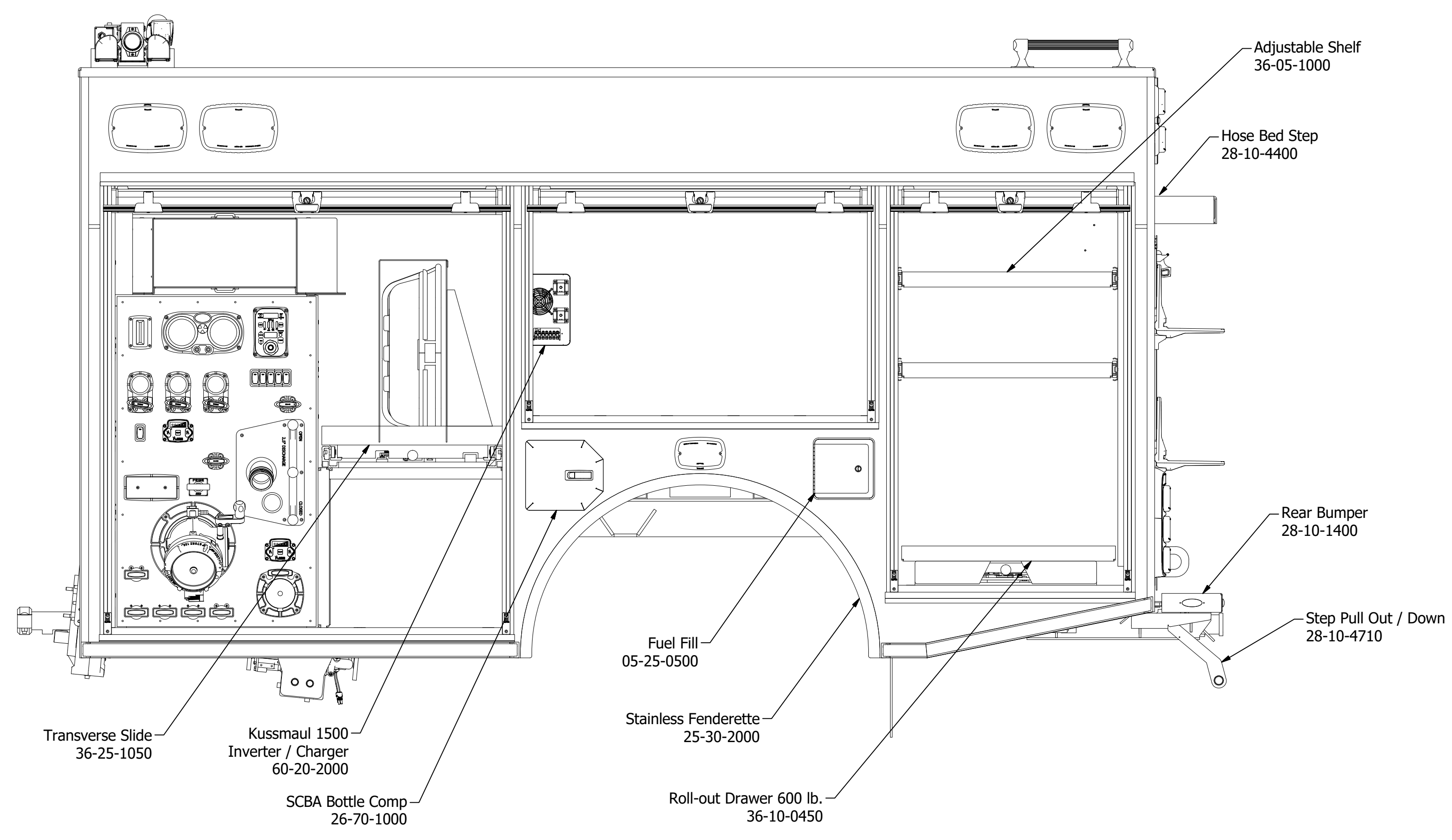
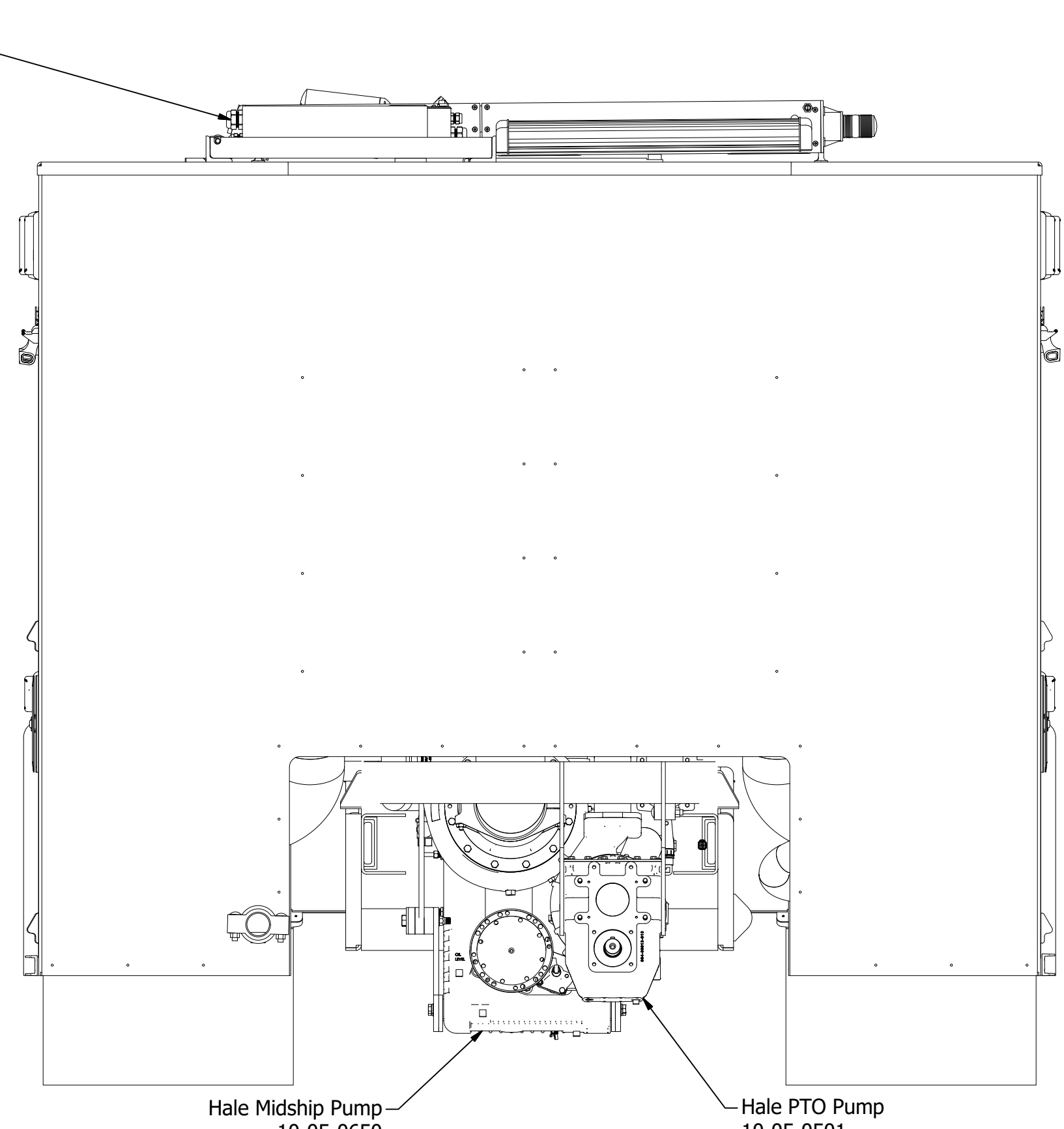
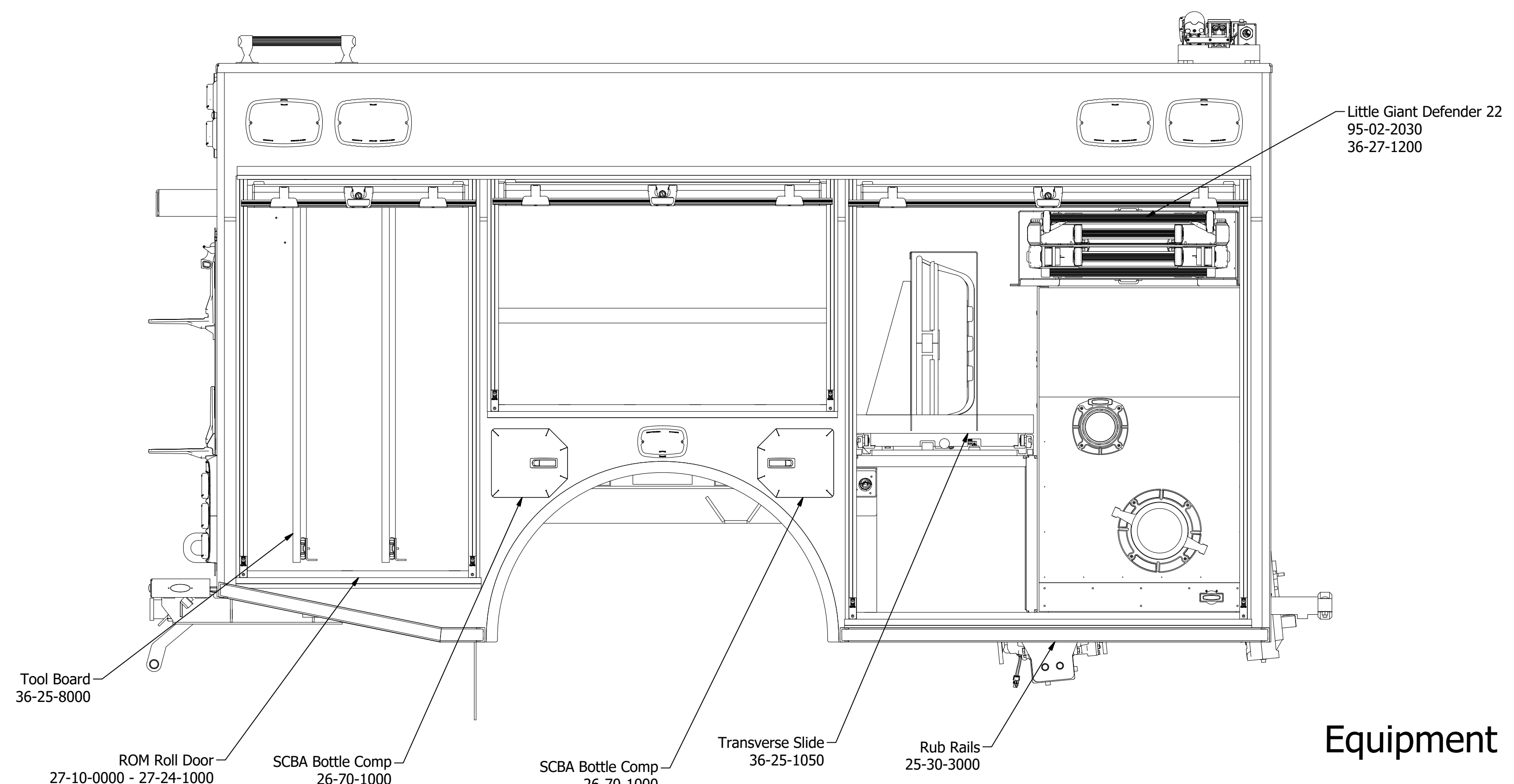
Equipment's Main Deck	10/30/2020	MARCO	Fire Equipment Sales, LLC 117 Main Street, Suite 100 Lancaster, PA 17602 (717) 397-7400
Model	Ford 550	Part No.	
Options	Attack	Part No.	
Part No.	300	Part No.	
Part No.	DSD 1250 AP500	Part No.	
Part No.		Part No.	

New Philadelphia
Attack Truck

Issue No. 0001
Austerlitz Door Opening Dimensions
Sheet 1 of 1

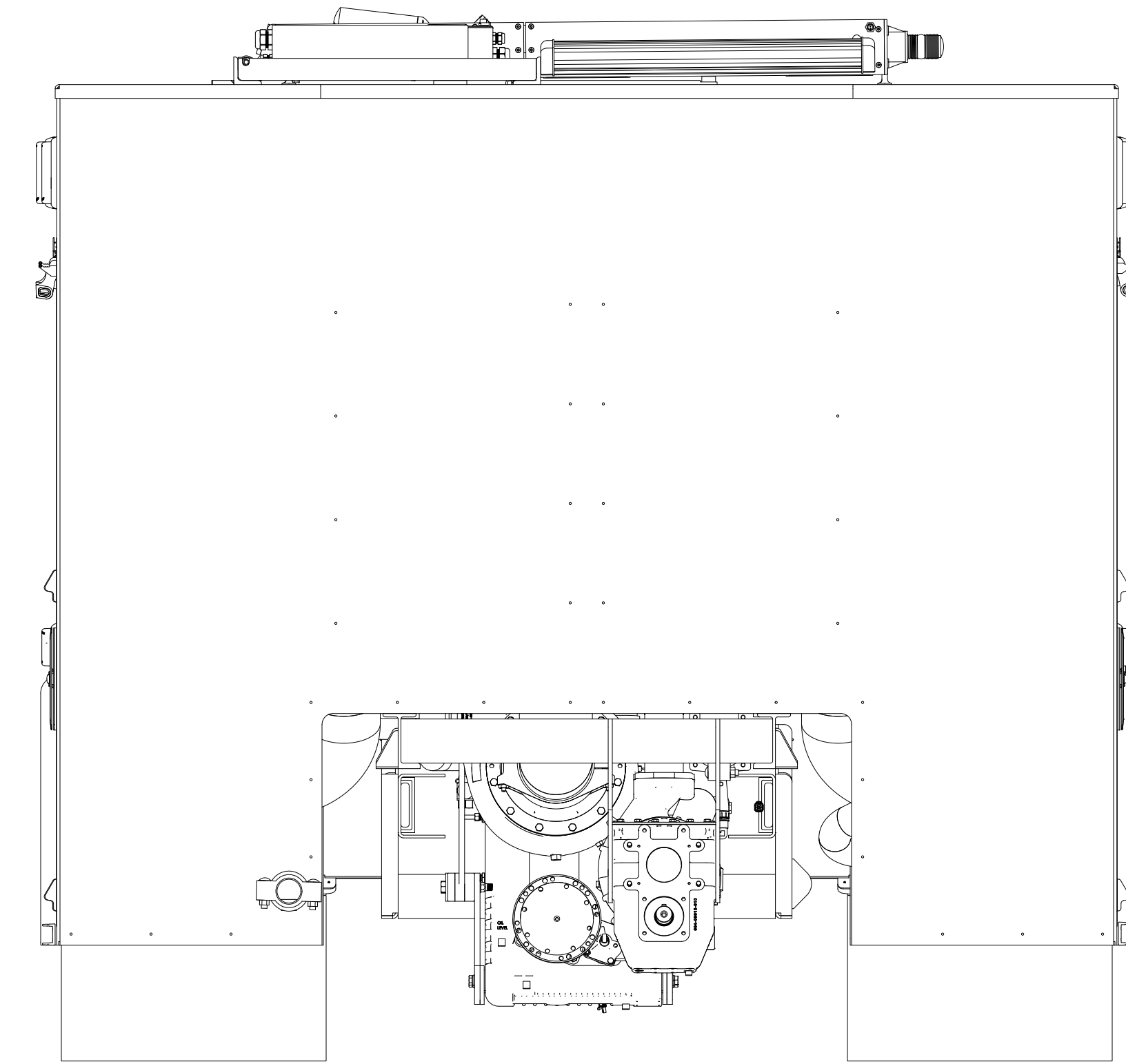
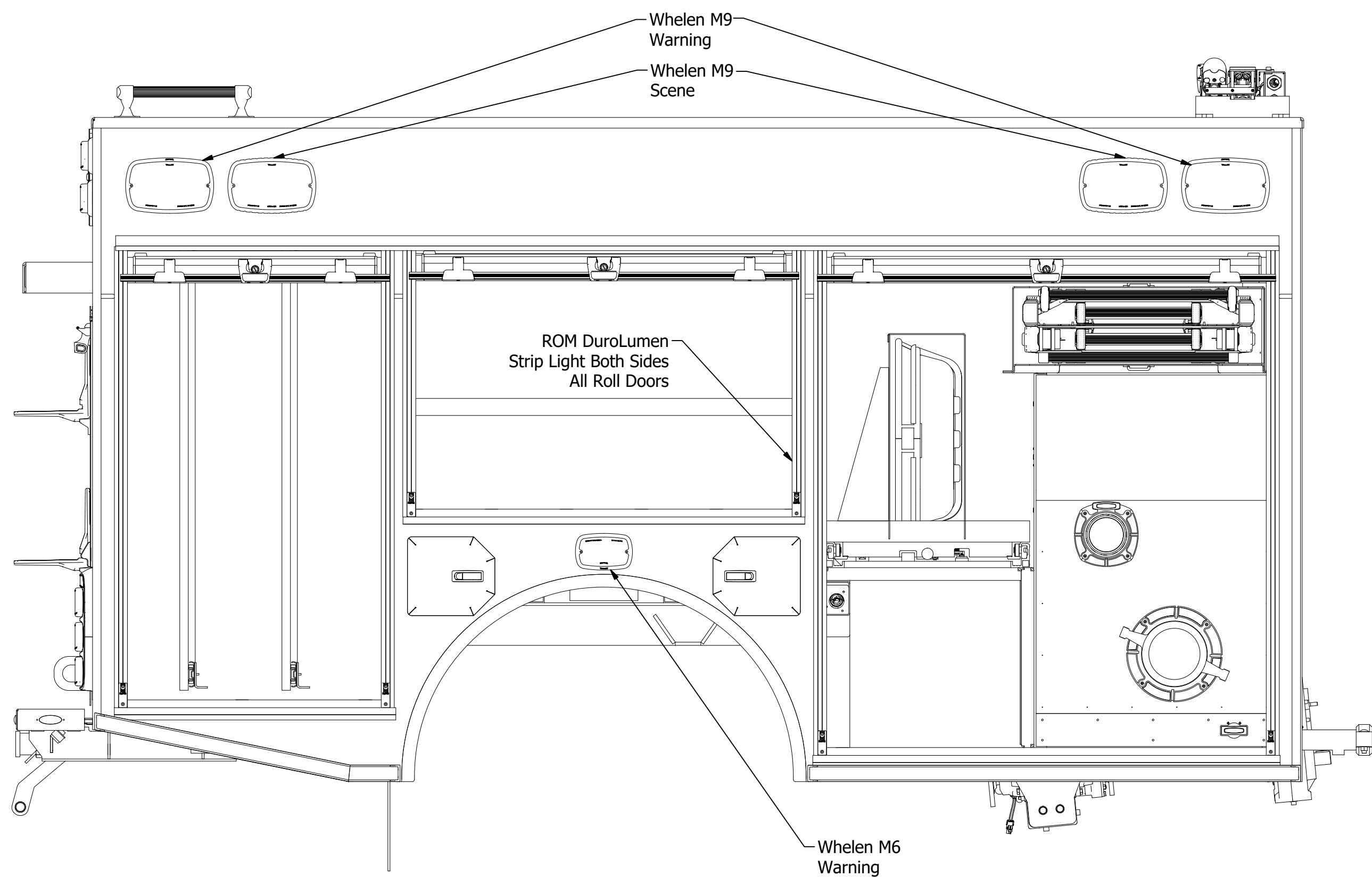


Equipment

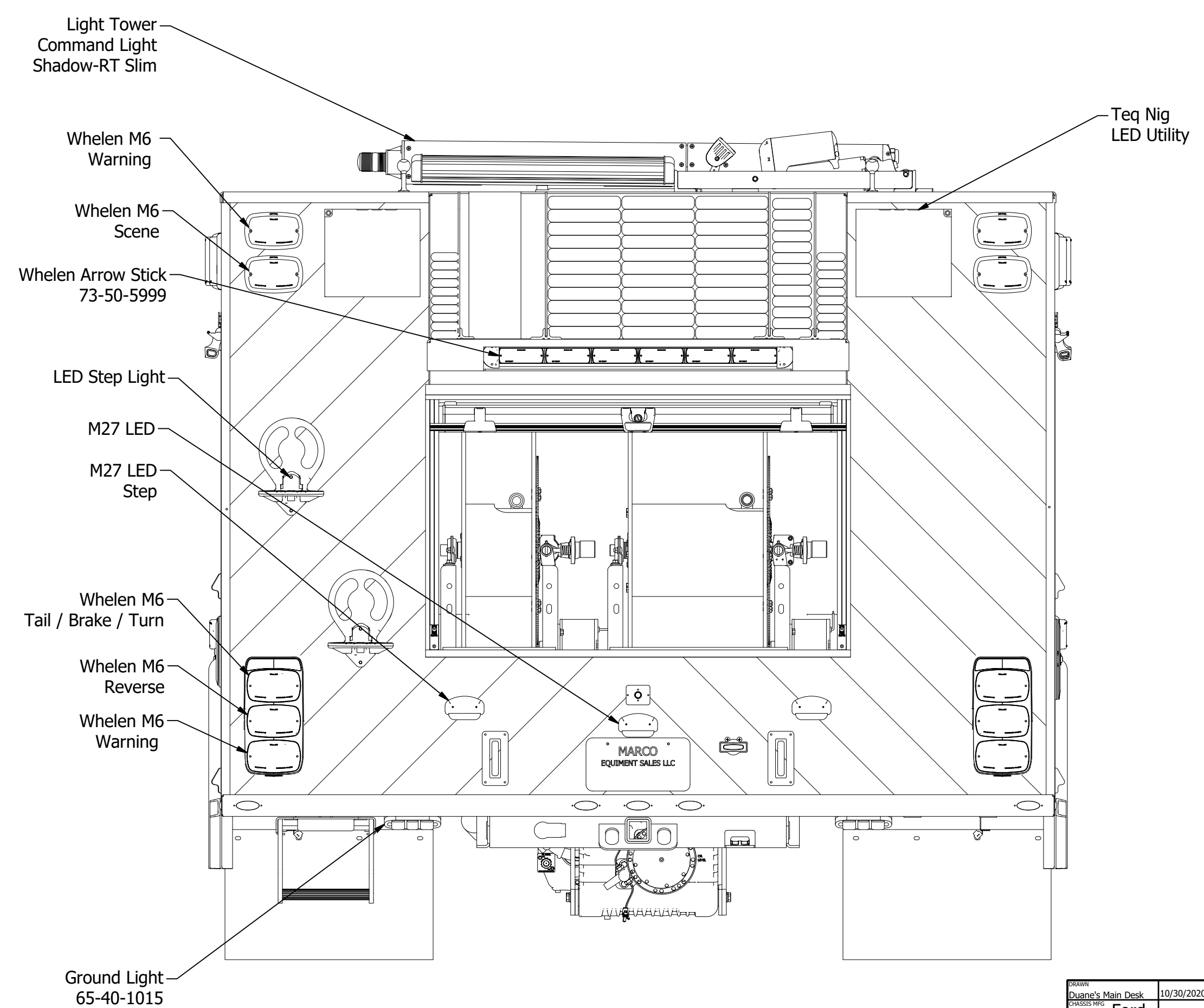
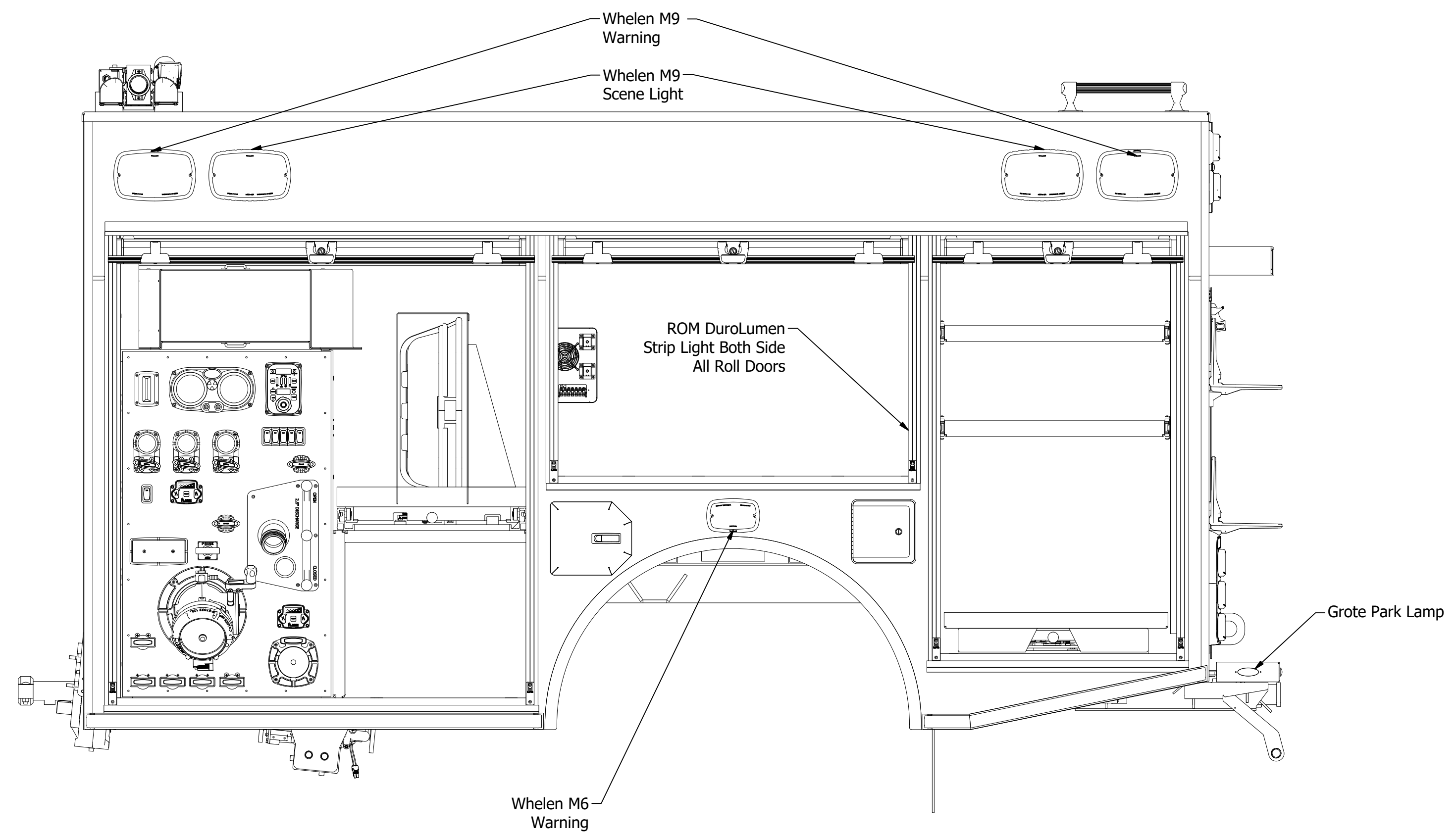


FIRE DEPARTMENT APPROVAL		DATE	BY	DESCRIPTION	REV	DATE	BY	DESCRIPTION
		A 8-25-22			A	8-25-22		
		B 10-28-22			B	10-28-22		

Equipment's Main Desk 550 Attack 300 DSD 1250 AP500	MARCO EQUIPMENT SALES LLC 11700 W. 10th Ave. Golden, CO 80401 (303) 440-1000	New Philadelphia Attack Truck Austerlitz Equipment
---	--	--

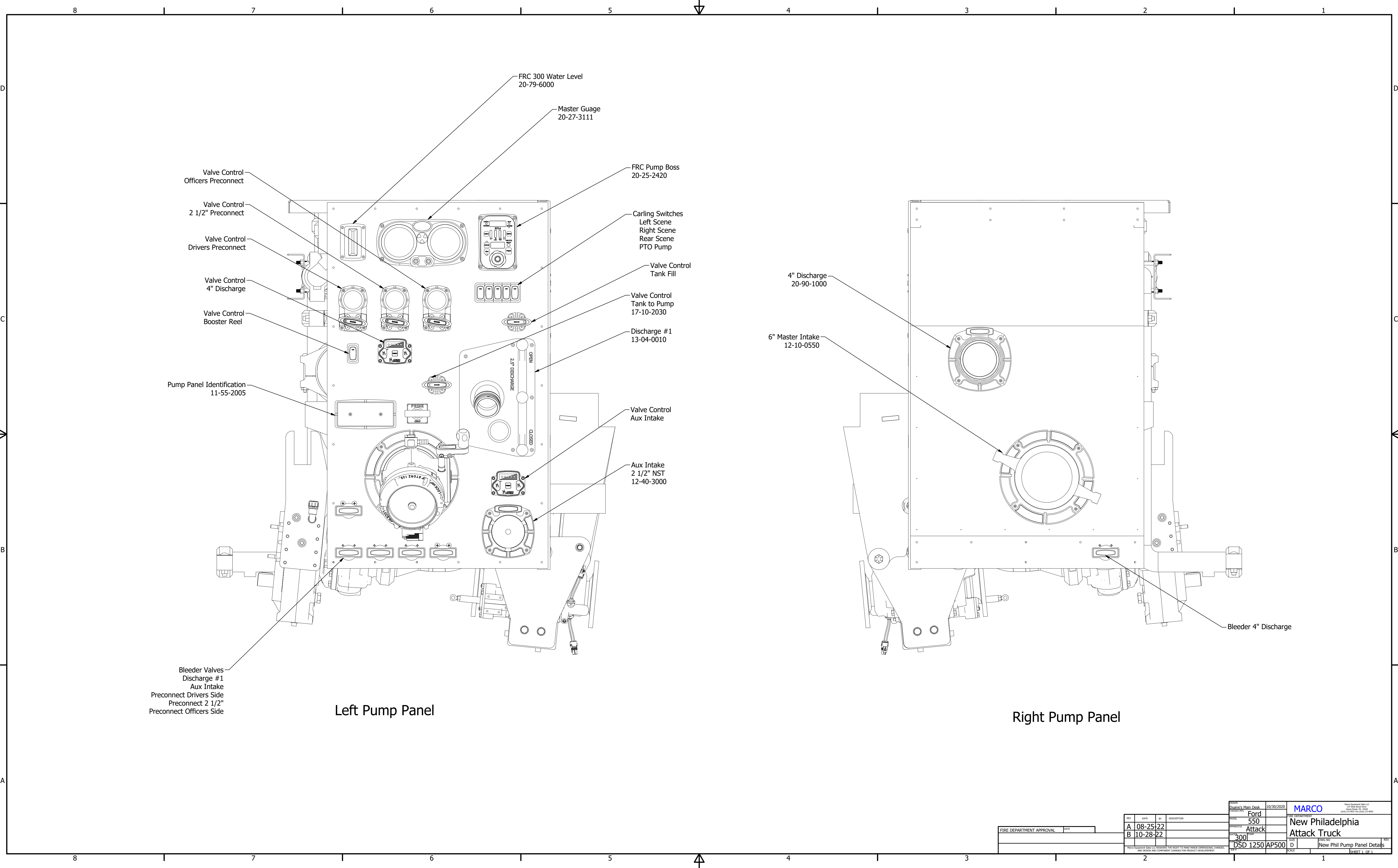


Lighting



FIRE DEPARTMENT APPROVAL		DATE	BY	DESCRIPTION	REV	DATE	BY	DESCRIPTION
		A 8-25-22			1			
		B 10-28-22			2			

Equipment Make/Model	10/30/2020	MARCO
Quantity	550	
Application	Attack	
Part Number	300	
Manufacturer	DSD 1250 AP500	Austerlitz Lighting



- FRC 300 Water Level 20-79-6000
- Master Gauge 20-27-3111
- FRC Pump Boss 20-25-2420
- Carling Switches Left Scene Right Scene Rear Scene PTO Pump
- Valve Control Tank Fill
- Valve Control Tank to Pump 17-10-2030
- Discharge #1 13-04-0010
- 2.5" DISCHARGE
- Valve Control Aux Intake
- Aux Intake 2 1/2" NST 12-40-3000
- Valve Control Officers Preconnect
- Valve Control 2 1/2" Preconnect
- Valve Control Drivers Preconnect
- Valve Control 4" Discharge
- Valve Control Booster Reel
- Pump Panel Identification 11-55-2005
- Bleeder Valves Discharge #1 Aux Intake Preconnect Drivers Side Preconnect 2 1/2" Preconnect Officers Side

- 4" Discharge 20-90-1000
- 6" Master Intake 12-10-0550
- Bleeder 4" Discharge

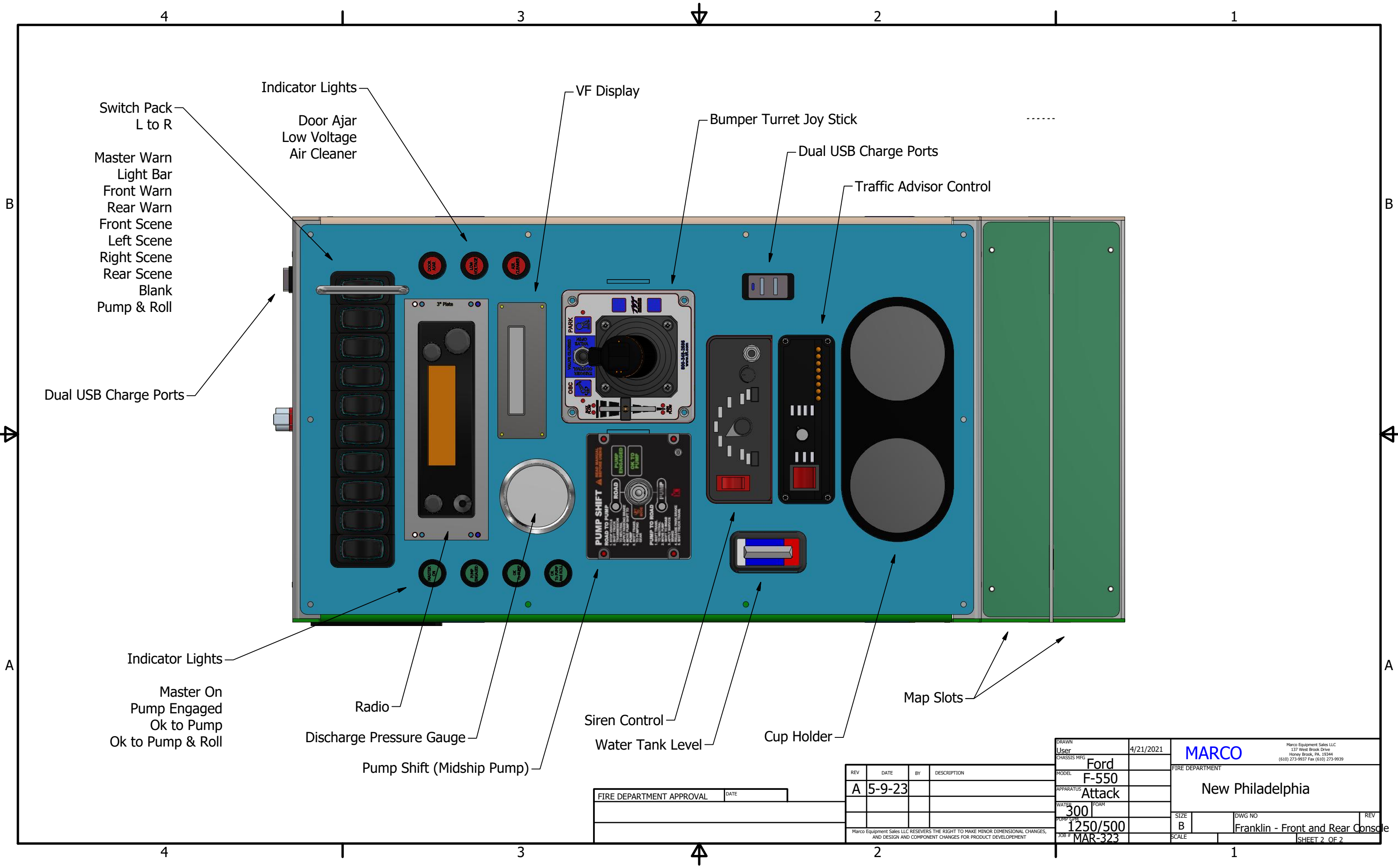
Left Pump Panel

Right Pump Panel

FIRE DEPARTMENT APPROVAL		DATE		BY		DESCRIPTION		REV		DATE		BY		DESCRIPTION	
								A		08-25-22					
								B		10-28-22					
								D							
								DSD 1250		AP500					

Revised By	10/30/2020	550	Attack	300	DSD 1250 AP500
Revised By					
Revised By					
Revised By					

MARCO
 Fire Equipment Sales, Inc.
 11700 Main Street
 Philadelphia, PA 19154
 (215) 381-1000
New Philadelphia Attack Truck
 New Phil Pump Panel Details
 SHEET 1 OF 1



- Switch Pack L to R
- Master Warn
- Light Bar
- Front Warn
- Rear Warn
- Front Scene
- Left Scene
- Right Scene
- Rear Scene
- Blank
- Pump & Roll

Indicator Lights
Door Ajar
Low Voltage
Air Cleaner

VF Display

Bumper Turret Joy Stick

Dual USB Charge Ports

Traffic Advisor Control

Dual USB Charge Ports

Indicator Lights
Master On
Pump Engaged
Ok to Pump
Ok to Pump & Roll

Radio
Discharge Pressure Gauge

Pump Shift (Midship Pump)

Siren Control
Water Tank Level

Cup Holder

Map Slots

FIRE DEPARTMENT APPROVAL	DATE

REV	DATE	BY	DESCRIPTION
A	5-9-23		

DRAWN User	4/21/2021	MARCO Marco Equipment Sales LLC 137 West Brook Drive Honey Brook, PA, 19344 (610) 273-9937 Fax (610) 273-9939
CHASSIS MFG Ford		
MODEL F-550		FIRE DEPARTMENT
APPARATUS Attack		New Philadelphia
WATER 300		SIZE
FOAM		DWG NO
PUMP GPM 1250/500		Franklin - Front and Rear Console
JOB # MAR-323		SCALE
		REV
		SHEET 2 OF 2