

FIRE DEPARTMENT APPROVAL		DATE	REV		DESCRIPTION	DATE	BY	DESCRIPTION	DATE	BY	DESCRIPTION
			A		8-17-23						
			D								
			500								

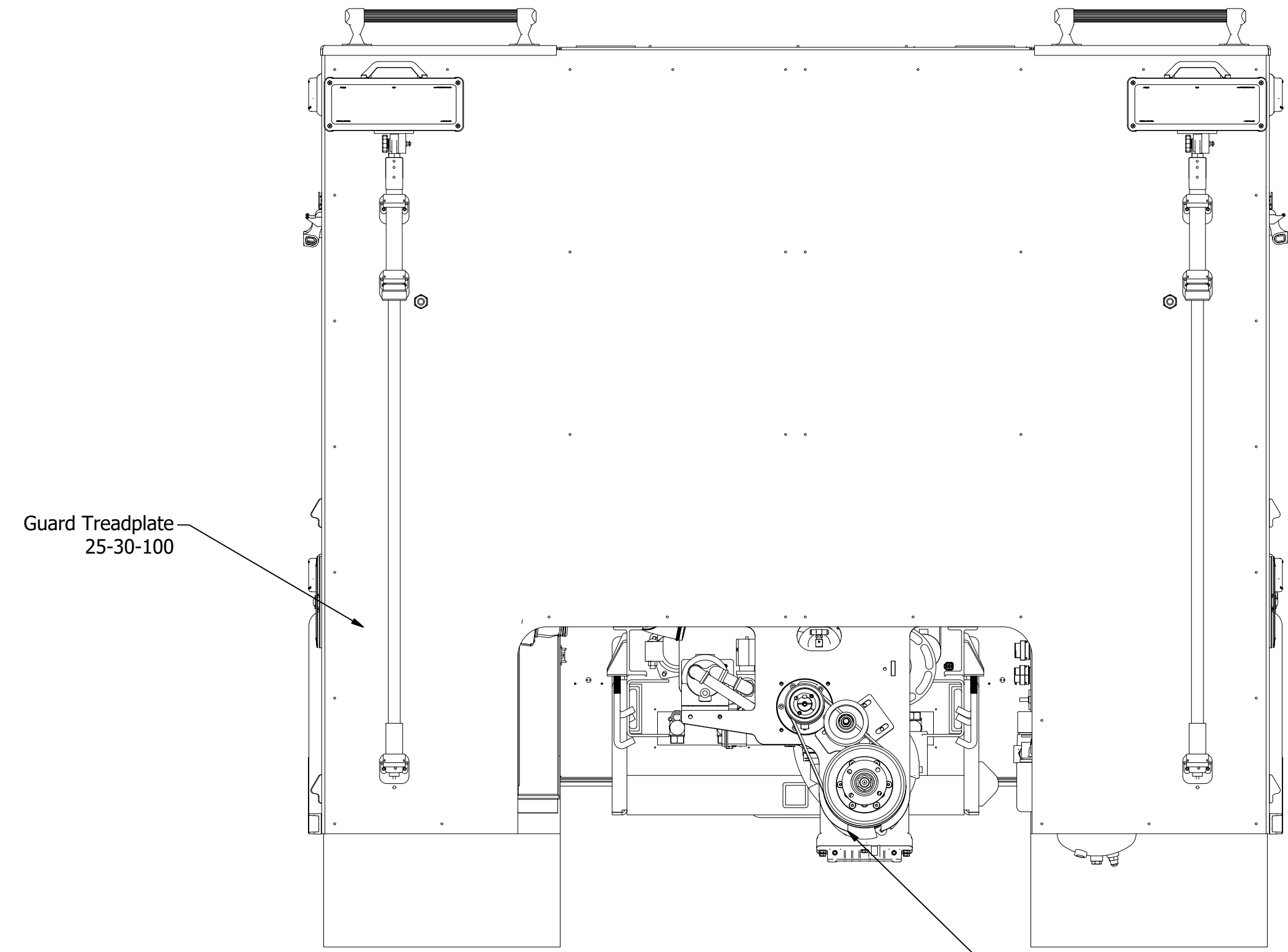
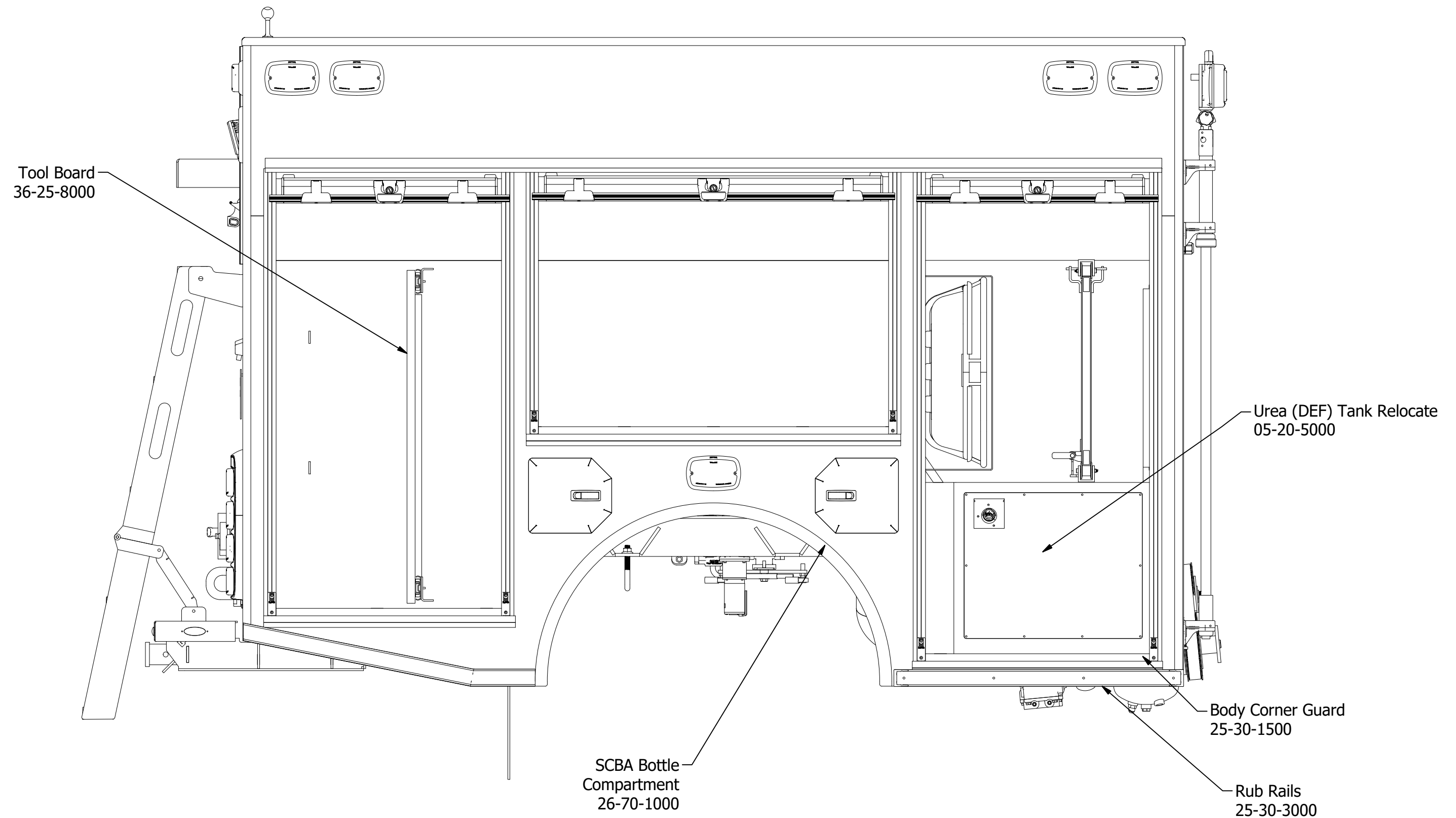
REV	DATE	BY	DESCRIPTION
1	5/18/2020		Rowe's Main Deck
2			FORD
3			550
4			Attack
5			295
6			10
7			500

MARCO		MARCO	
MARCO EQUIPMENT RACKS LLC		MARCO EQUIPMENT RACKS LLC	
MARCO		MARCO	

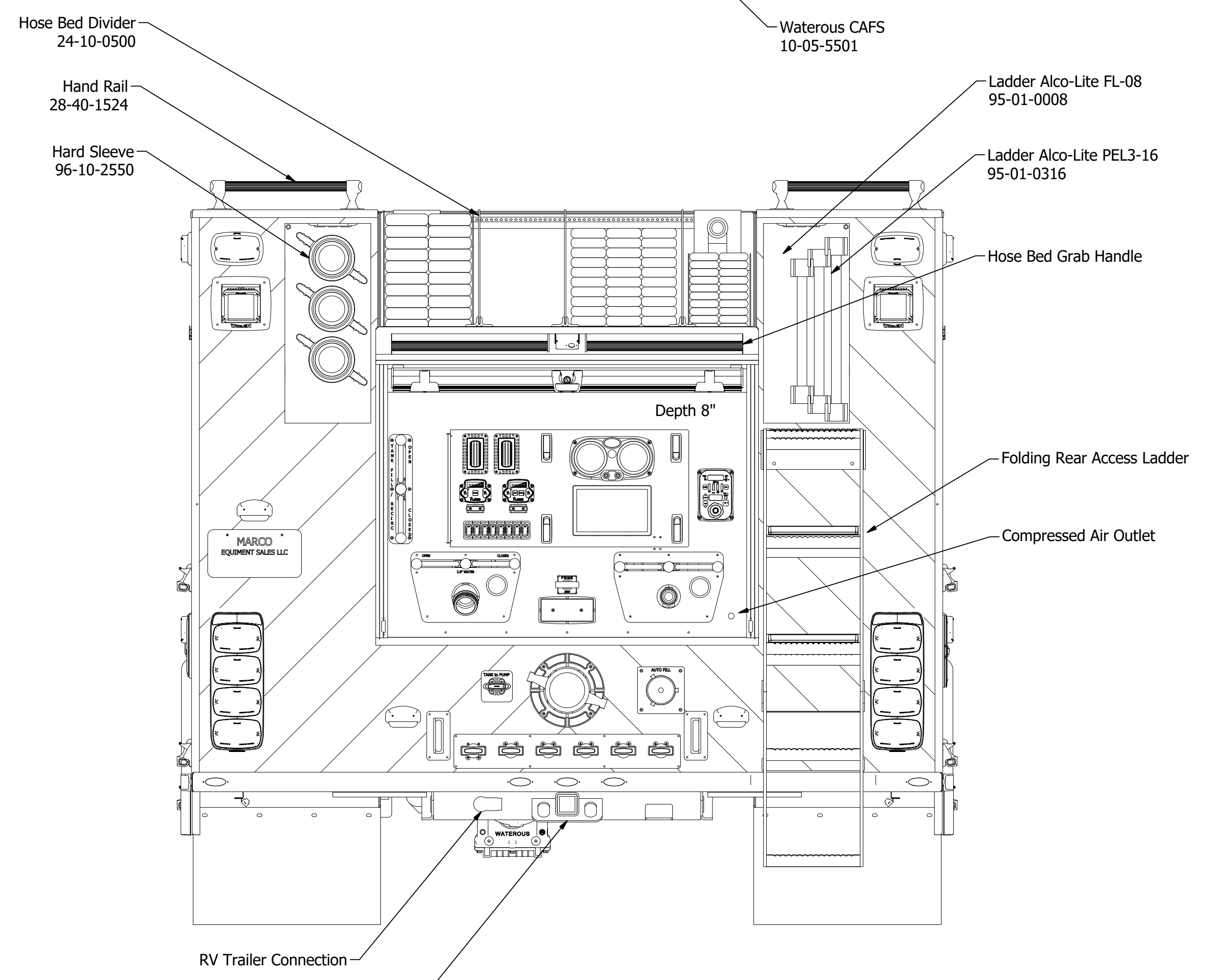
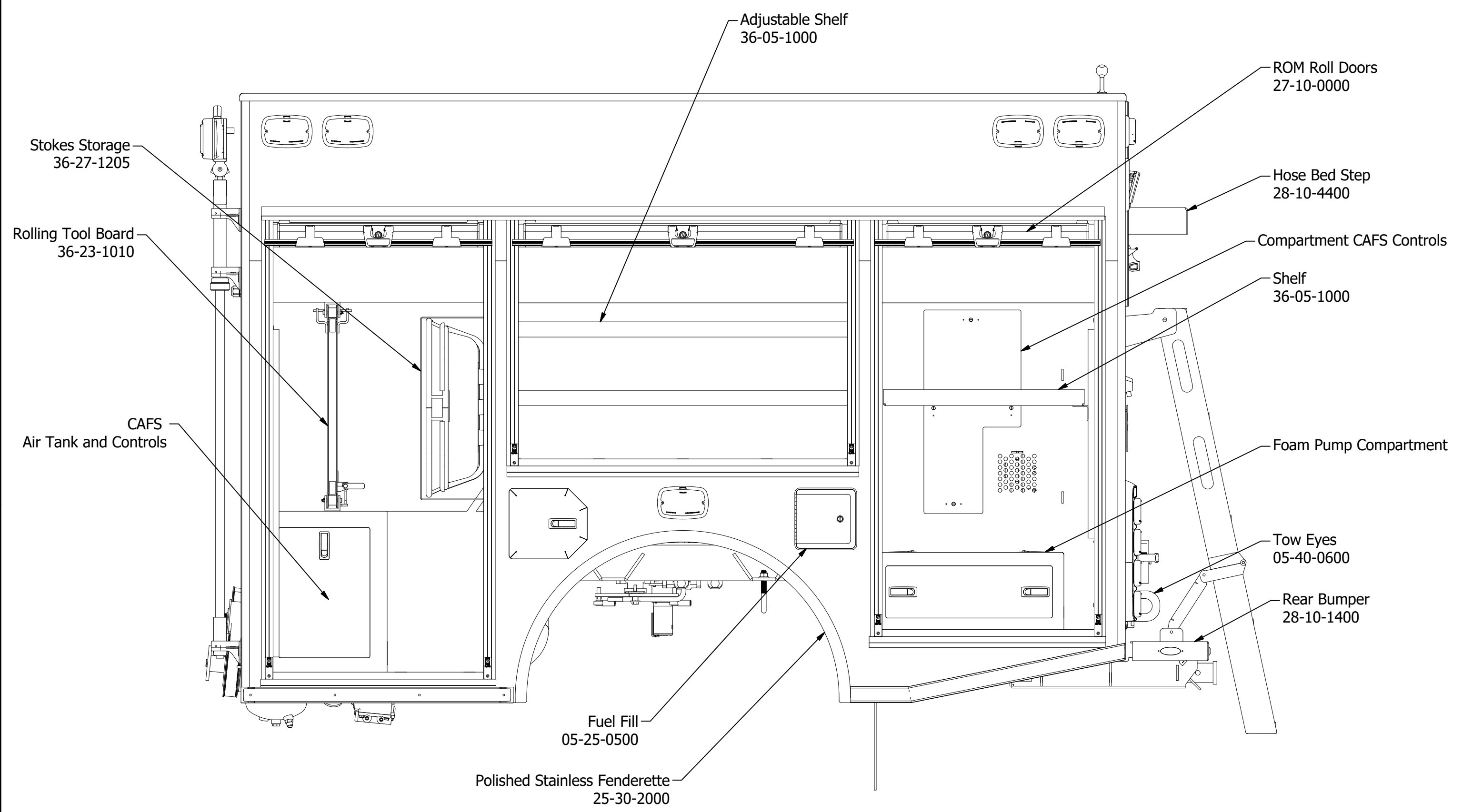
DATE	BY	DESCRIPTION
5/18/2020		Rowe's Main Deck
		FORD
		550
		Attack
		295
		10
		500

DATE	BY	DESCRIPTION
5/18/2020		Rowe's Main Deck
		FORD
		550
		Attack
		295
		10
		500

8 7 6 5 4 3 2 1



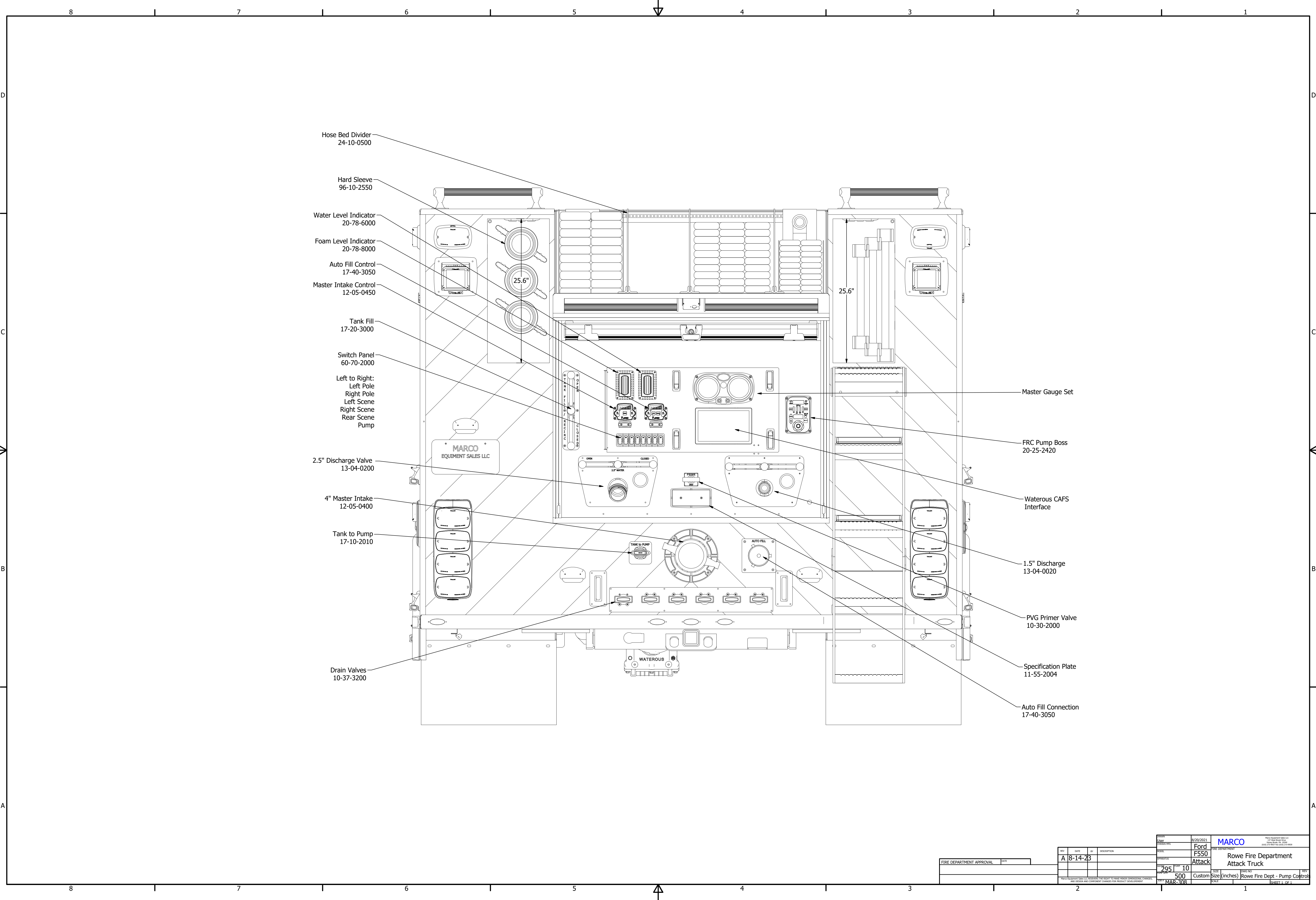
Equipment



8 7 6 5 4 3 2 1

FIRE DEPARTMENT APPROVAL		DATE	REV	DESCRIPTION	DATE	REV	DESCRIPTION	DATE	REV	DESCRIPTION
				A	8-17-23					
MARCO EQUIPMENT SALES LLC		8/20/2021		Ford F550 Attack Truck		Rowe Fire Department Attack Truck		795" 10"		500 Custom Size (inches) Rowe Fire Dept - Equipment
MARCO EQUIPMENT SALES LLC		8/20/2021		Ford F550 Attack Truck		Rowe Fire Department Attack Truck		795" 10"		500 Custom Size (inches) Rowe Fire Dept - Equipment

Sheet 1 of 1



- Hose Bed Divider
24-10-0500
- Hard Sleeve
96-10-2550
- Water Level Indicator
20-78-6000
- Foam Level Indicator
20-78-8000
- Auto Fill Control
17-40-3050
- Master Intake Control
12-05-0450
- Tank Fill
17-20-3000
- Switch Panel
60-70-2000
- Left to Right:
Left Pole
Right Pole
Left Scene
Right Scene
Rear Scene
Pump
- 2.5" Discharge Valve
13-04-0200
- 4" Master Intake
12-05-0400
- Tank to Pump
17-10-2010
- Drain Valves
10-37-3200

- Master Gauge Set
- FRC Pump Boss
20-25-2420
- Waterous CAFS Interface
- 1.5" Discharge
13-04-0020
- PVG Primer Valve
10-30-2000
- Specification Plate
11-55-2004
- Auto Fill Connection
17-40-3050

FIRE DEPARTMENT APPROVAL		DATE	REV	DATE	DESCRIPTION
			A	8-14-23	
MARCO		REV	DATE	DESCRIPTION	
		1	8/20/2021	Rowe Fire Dept - Pump Controls	
MARCO		REV	DATE	DESCRIPTION	
		1	8/20/2021	Rowe Fire Dept - Pump Controls	

MARCO
EQUIPMENT SALES LLC
10000 W. 10th Ave., Suite 100
Denver, CO 80202
303.440.1111

Ford
F550
Attack
Rowe Fire Department
Attack Truck

Size (inches): 79.5" x 10" x 50"
Model: MAR-30R

Sheet 1 of 1

4

3

2

1

Top View

Streamlight Knucklehead Charger

Glove Box Holder

SCBA Packs

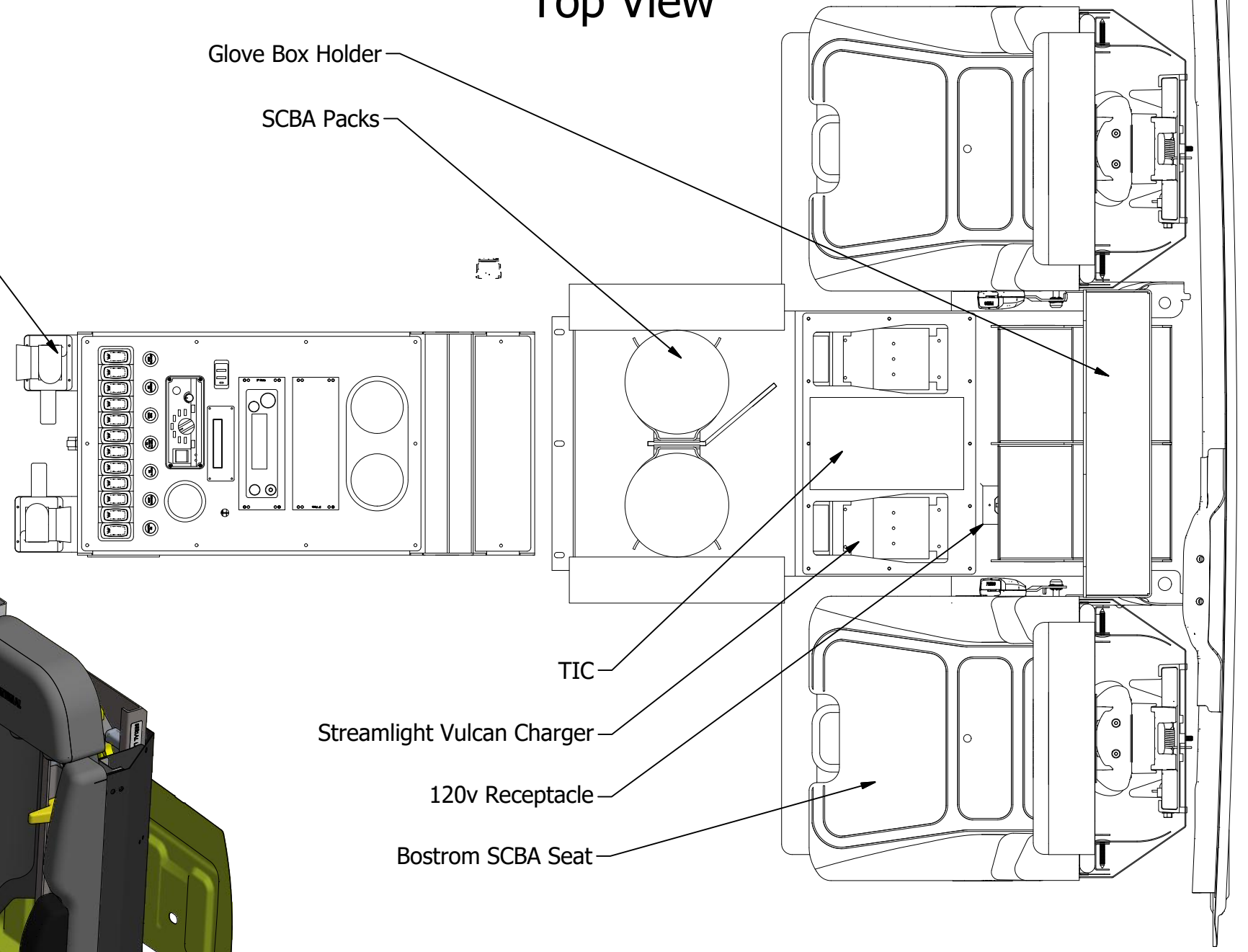
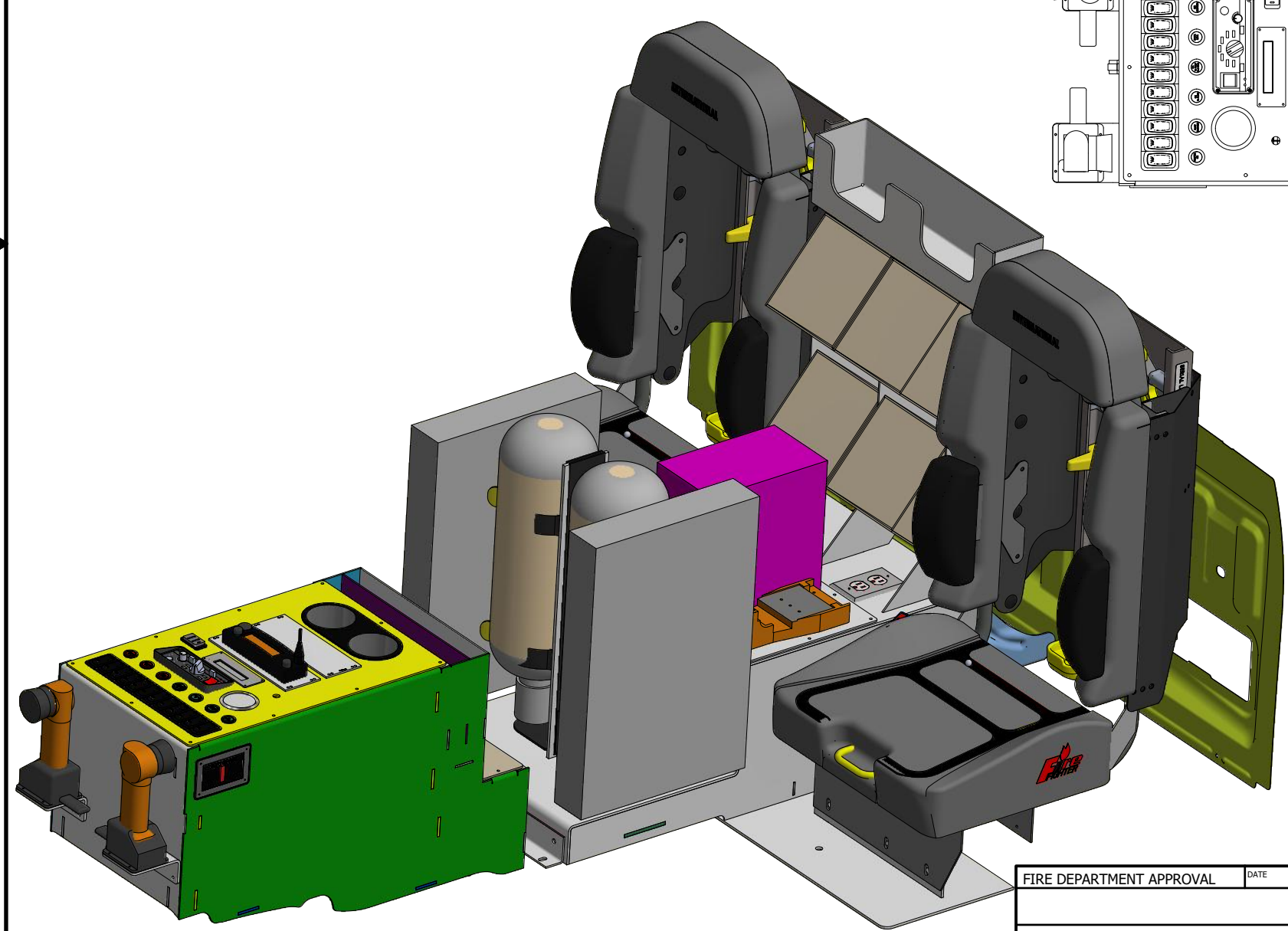
Front and Rear Consoles

TIC

Streamlight Vulcan Charger

120v Receptacle

Bostrom SCBA Seat



FIRE DEPARTMENT APPROVAL _____ DATE _____

REV	DATE	BY	DESCRIPTION
A	8-10-23		

DRAWN User CHASSIS MFG Ford MODEL F-550 APPARATUS Attack WATER 295 PUMP GPM 500 JOB # MAR-308	4/21/2021 MARCO FIRE DEPARTMENT Rowe Fire Department Attack Truck SIZE B SCALE	Marco Equipment Sales LLC 137 West Brook Drive Honey Brook, PA, 19344 (610) 273-9937 Fax (610) 273-9939 DWG NO Franklin - Front and Rear Console REV SHEET 1 OF 2
--	---	--

4

3

2

1

Front Console

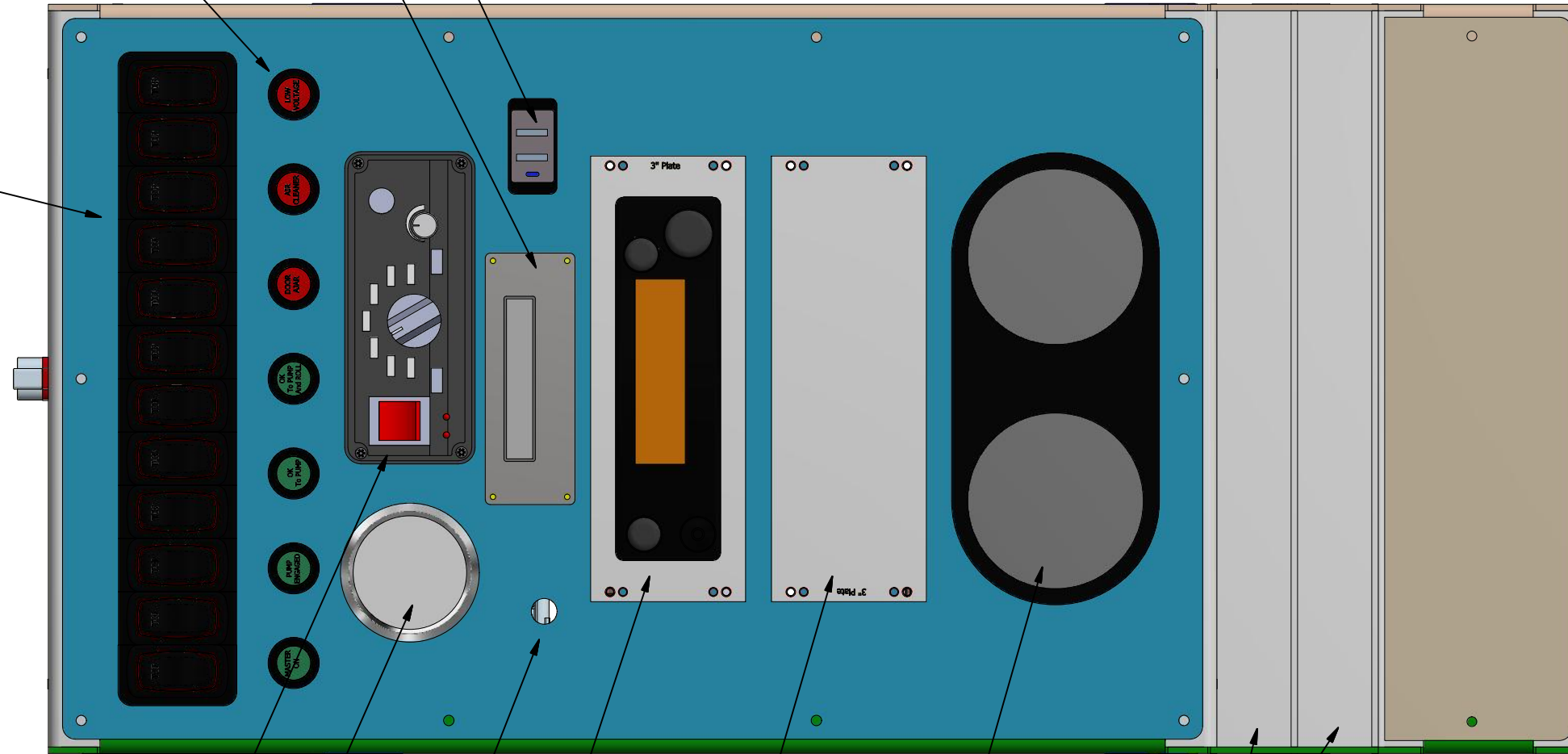
- Indicator Lights
L to R
- Master On
- Pump Engaged
- Ok to Pump
- Ok to Pump & Roll
- Door Ajar
- Air Cleaner
- Low Voltage

Dual USB Charge Ports

VF Display

Switch Pack
L to R

- Master Warn
- Light Bar
- Front Warn
- Rear Warn
- Left Scene
- Right Scene
- Rear Scene
- Left Pole
- Right Pole
- Blank
- Pump
- Pump & Roll



Siren Control

Discharge Pressure Gauge

Radio Selector Switch

Radio

Radio

Cup Holder

Map Slots

FIRE DEPARTMENT APPROVAL	DATE

REV	DATE	BY	DESCRIPTION
A	8-10-23		

DRAWN User	4/21/2021	MARCO Marco Equipment Sales LLC 137 West Brook Drive Honey Brook, PA, 19344 (610) 273-9937 Fax (610) 273-9939
CHASSIS MFG Ford		
MODEL F-550		FIRE DEPARTMENT
APPARATUS Attack		Rowe Fire Department Attack Truck
WATER 295	FOAM 10	SIZE B
PUMP GPM 500		DWG NO Franklin - Front and Rear Console
JOB # MAR-308		SCALE
		SHEET 2 OF 2